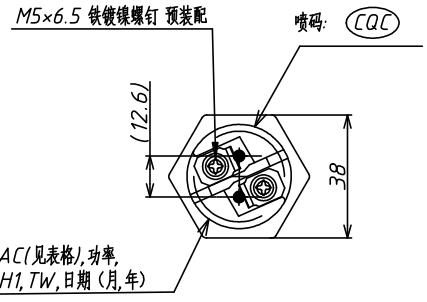
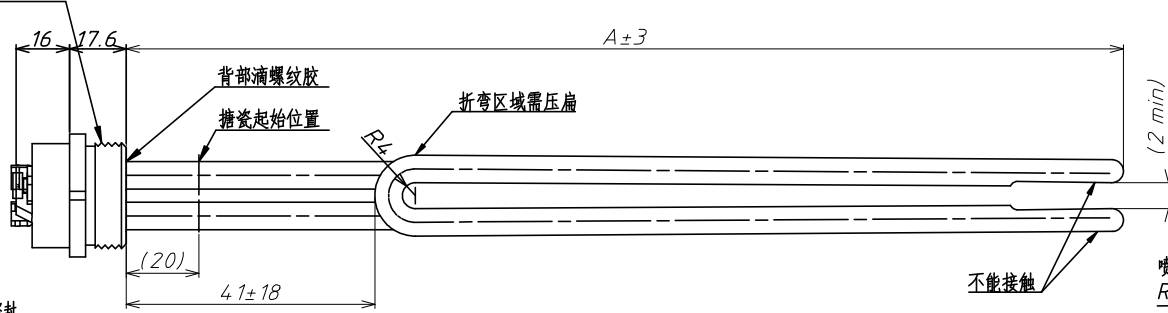
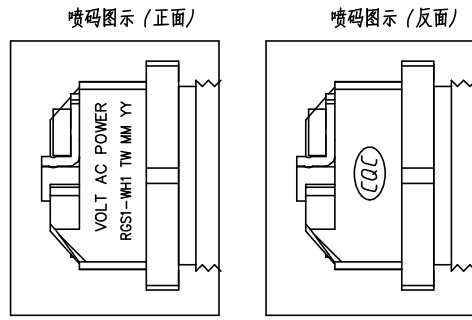
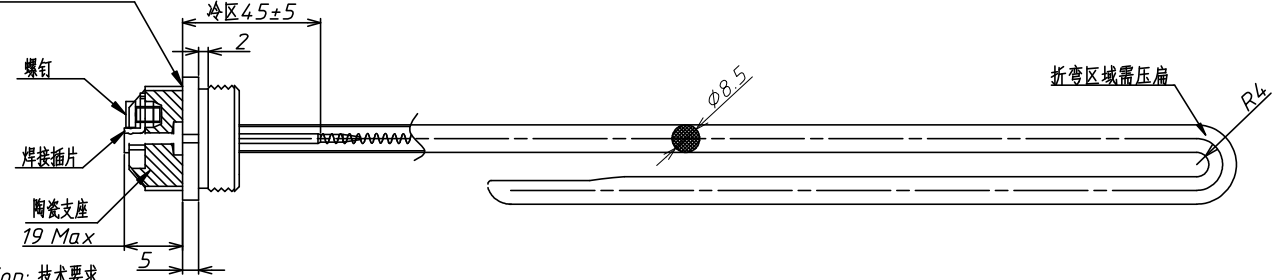


法兰 AISI 304
NPSM 1"-11 1/2



法兰与陶瓷座之间用密封胶完全密封
焊接水检后, 法兰台阶面需滴满胶水



Specification: 技术要求

- 冷态耐压: 1500V/s, 击穿电流 5.0mA
Hi-POT TEST: 1500V/s COLD CONDITION, CUT-OFF CURRENT is 5.0mA
- 冷态绝缘: 500MΩ以上
INSULATION RESISTANCE: 500MΩ MIN COLD CONDITION
- 额定电压下, 泄露电流不大于0.5mA
WORKING AT RATED VOLTAGE, CURRENT LEAKAGE TEST 0.5mA MAX
- 加热管必须能通过Ø29.5mm的孔
Heating element must pass through a Ø29.5 hole
- 所有焊接处能通过1.2Mpa的气压检测 Welding area should pass 1.2Mpa air pressure test

We reserve the property right of this drawing according to the law. Use and reproduction are not allowed.

Degree of accuracy	Length		Diameter		Hole diameter		Pitch	
	mm	inch	mm	inch	mm	inch	mm	inch
COURSE	±0.2	±0.008	±0.1	±0.004	±0.1	±0.004	±0.05	±0.002
MEDIUM	±0.1	±0.004	±0.05	±0.002	±0.05	±0.002	±0.025	±0.001
PRECISE	±0.05	±0.002	±0.025	±0.001	±0.025	±0.001	±0.01	±0.0005

Code	Customer code	Power ±5% -10%	Voltage	Power Density (W/CM ²)	DIM. A	Enamel
3170464	⑩102040570	2500W	230V	10.1	273	YES
3170473	⑩102040571	3000W	230V	12.2	273	YES
3170474	⑩102040572	5000W	230V	13.5	384	YES
3170509	102040583	4000W	220V	8.3	487	YES
3170528	102040594	2000W	230V	10.1	222	YES
3170535	102040607	4500W	230V	13.2	357	YES
3170536	102040608	2500W	230V	10.1	273	NO
3170537	102040609	3000W	230V	12.2	273	NO
3170538	102040611	4500W	230V	13.6	347	NO
3170539	102040610	5000W	230V	10.4	487	NO
3170618	102040651	4500W	220-240V	13.2	357	YES
3170676	102040678	3000W	220V	12.2	273	YES
3170711	102040627	3000W	220V	11.8	273	YES
3170712	102040686	2500W	220V	10.1	273	YES

Add new codes 3170711/3170712 增加新代码 3170711/3170712	Darren	2022.11.29	I
Add new codes 3170676 增加新代码 3170676	Xia YJ	2022.3.3	H
Change client code 102040567 to 102040570	Tong RJ	2021.02.24	G
Add new codes 3170618 增加新代码 3170618	Tong RJ	2020.11.30	F
Add new codes 3170535, 536, 537, 538, 317539	Tong RJ	2019.12.3	E
Correct client code 更新客户代码	Tong RJ	2019.11.22	D
Add new codes 3170528 增加新代码 3170528	Tong RJ	2019.7.30	C
Add new codes 3170509 增加新代码 3170509	Tong RJ	2019.5.31	B
Add new codes and updating marking 增加新代码及更新印字	Tong RJ	2019.3.14	A
Description of Modification		Name	Date
Approval	The dimensions without tolerance are with degree of accuracy Coarse <input type="checkbox"/> Medium <input checked="" type="checkbox"/> Precise <input type="checkbox"/> Incompliance with UNI-5307	Tong RJ	2019.2.13
Description		Modification number	
1 INCH HEATING ELEMENT			
Material	Incolay800+Enamel	Custom	GMO
Finish or Treatment		Scale	
Replaces		Code	
	WH19007		3170464