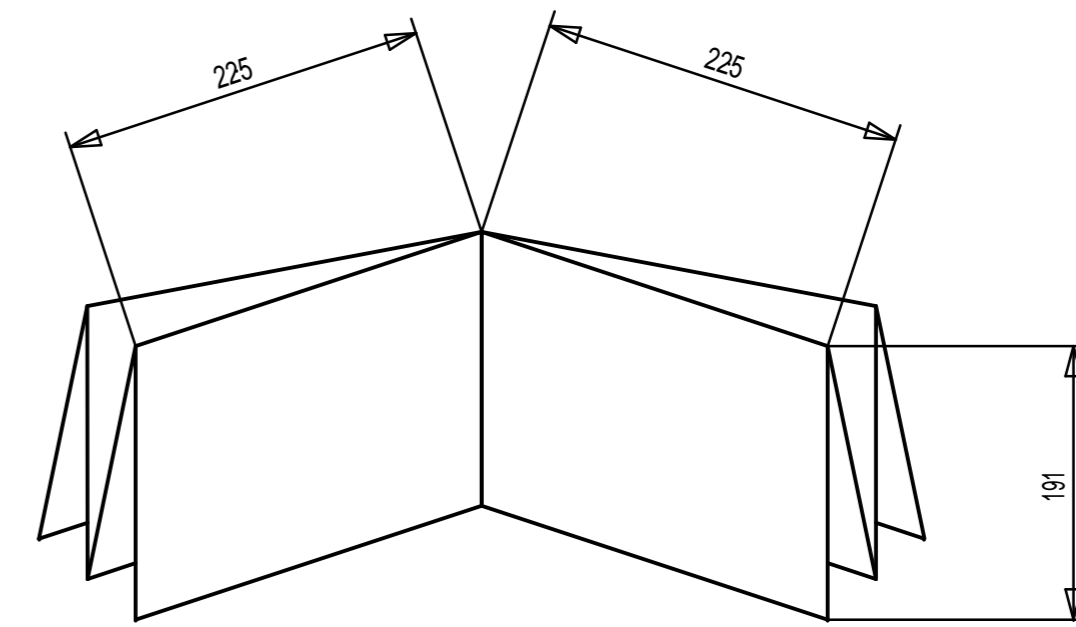
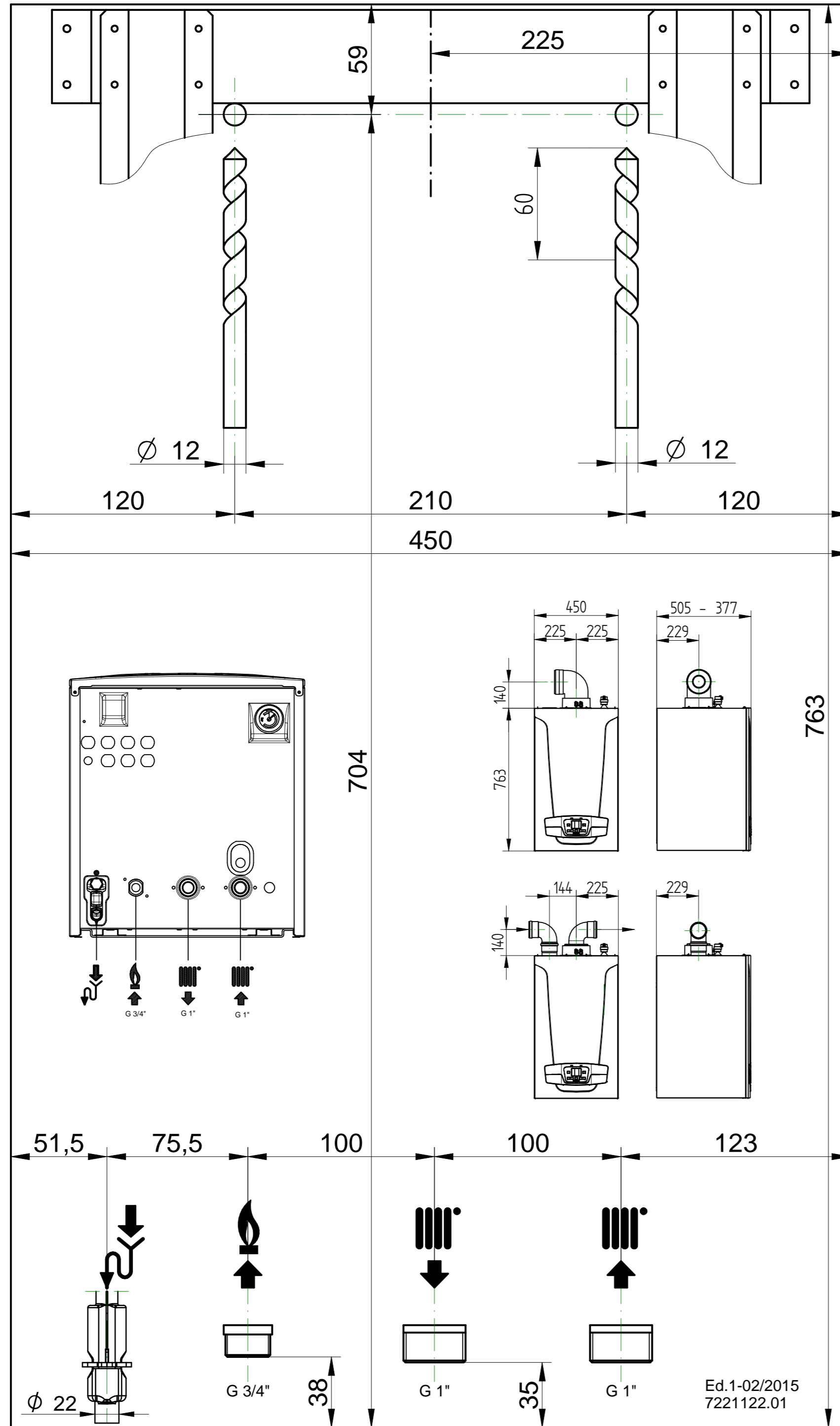


ALL COMPONENTS MUST COMPLY WITH THE EUROPEAN DIRECTIVE ON THE RESTRICTION OF THE USE OF THE CERTAIN HAZARDOUS SUBSTANCES (RoHS)  
CHECK REVISION AND STATUS BEFORE USE



**NOTE**  
 - Composizione grafica in scala secondo disegno  
 - Stampa in colore NERO  
 - La dima deve essere fornita piegata come a disegno. La parte serigrafata deve essere visibile dall' esterno. Il codice deve essere visibile sulla parte anteriore a dima piegata.  
 - Materiale: Carta 150 g/mq - Colore BIANCO.

**NOTE**  
 - Graphic composition scale second drawing  
 - Print in color BLACK  
 - The template must be supplied folded as a drawing. The part serigraph must be visible from 'outside'. The code must be visible on the front template folded.  
 - Material: Paper 150 g / m<sup>2</sup> - Colour WHITE.

Change Description		Refers To	
DIMENSION TOLERANCE TO ISO 14405	QUALITY SIGNIFICANCE: [C] DENOTES A CRITICAL DIMENSION. DEVIATION FROM THE SPECIFICATION MAY COMPROMISE THE SAFETY AND/OR THE FUNCTIONALITY OF THE FINISHED PRODUCT.	Tolerance:	ISO 2768 mK
A2	Sheet No.: 1 of 1	Material Specification:	Error: No reference
Units: mm	Scale: 1:2	Creator:	Ceccato, Sergio
		Date Of Issue:	25/02/2015
BDR THERMEA		Title:	DIMA CARTA LUNA 4 HT 45-55-65
		Release Status:	Production
		Work In Progress When Blank	Item Number: 7221122
		Revision:	01
THE REPRODUCTION, DISTRIBUTION AND UTILIZATION OF THIS DOCUMENT AS WELL AS THE COMMUNICATION OF ITS CONTENTS TO OTHERS WITHOUT EXPRESS AUTHORIZATION IS PROHIBITED. OFFENDERS WILL BE HELD LIABLE FOR THE PAYMENT OF DAMAGE. ALL RIGHTS RESERVED IN THE EVENT OF THE GRANT OF A PATENT, UTILITY MODEL OR DESIGN.			