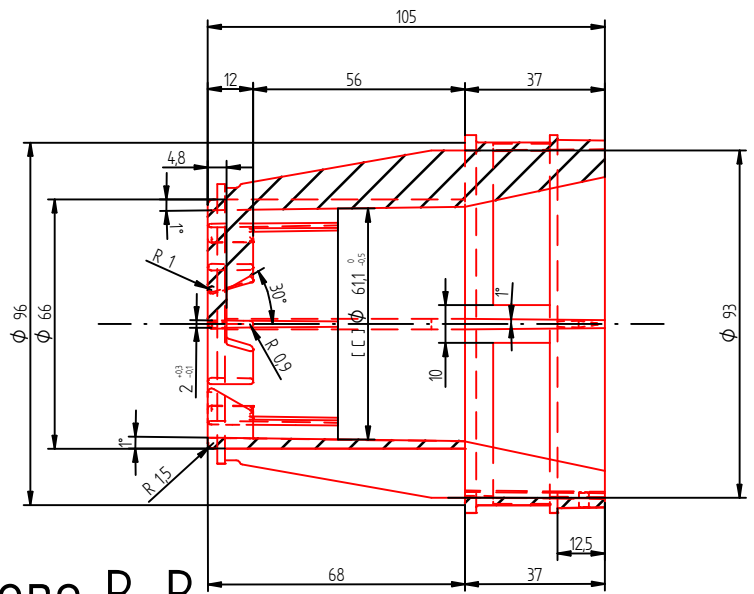
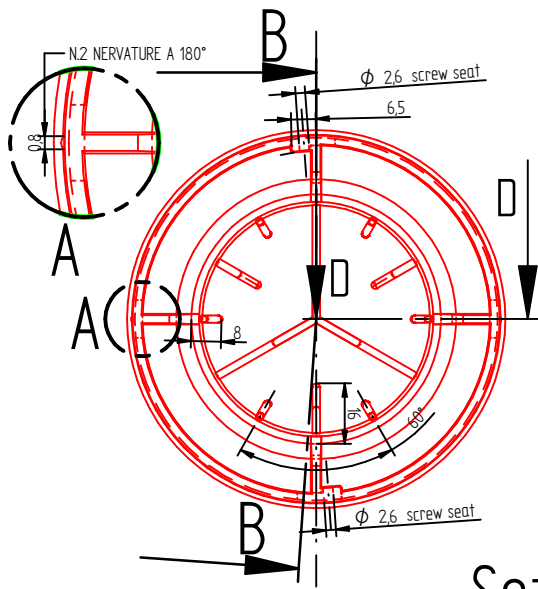
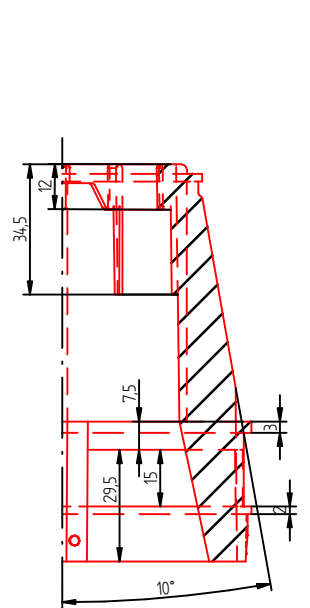


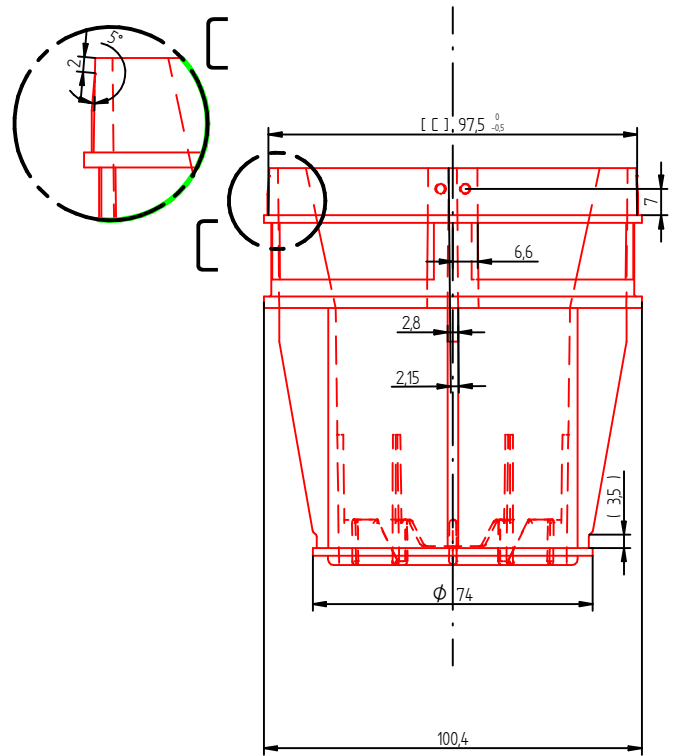
ALL COMPONENTS MUST COMPLY WITH THE EUROPEAN DIRECTIVE ON THE RESTRICTION OF THE USE OF THE CERTAIN HAZARDOUS SUBSTANCES (RoHS)
CHECK REVISION AND STATUS BEFORE USE



Sezione B-B



Sezione D-D



change tollerances and drawing re-drawn

HR 6197-14

Change Description

Refers To

DIMENSION TOLERANCE TO ISO 14405

QUALITY SIGNIFICANCE: [C] DENOTES A CRITICAL DIMENSION. DEVIATION FROM THE SPECIFICATION MAY COMPROMISE THE SAFETY AND/OR THE FUNCTIONALITY OF THE FINISHED PRODUCT.

Tolerance: ISO 2768 mK

A4

Sheet No.: 1 of 1

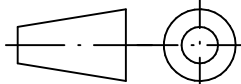
First Angle Projection

Material Specification:

PA66-GF30

Units: mm

Scale: 1:2



Creator:

Fiorenzato, Stefano

Date Of Issue:

17/03/2015



Title:

TERMINALE DIFFUSOR

Release Status:

Production

Work In Progress When Blank

Item Number:

540799

Revision:

01A

THE REPRODUCTION, DISTRIBUTION AND UTILIZATION OF THIS DOCUMENT AS WELL AS THE COMMUNICATION OF ITS CONTENTS TO OTHERS WITHOUT EXPRESS AUTHORIZATION IS PROHIBITED. OFFENDERS WILL BE HELD LIABLE FOR THE PAYMENT OF DAMAGE. ALL RIGHTS RESERVED IN THE EVENT OF THE GRANT OF A PATENT, UTILITY MODEL OR DESIGN.