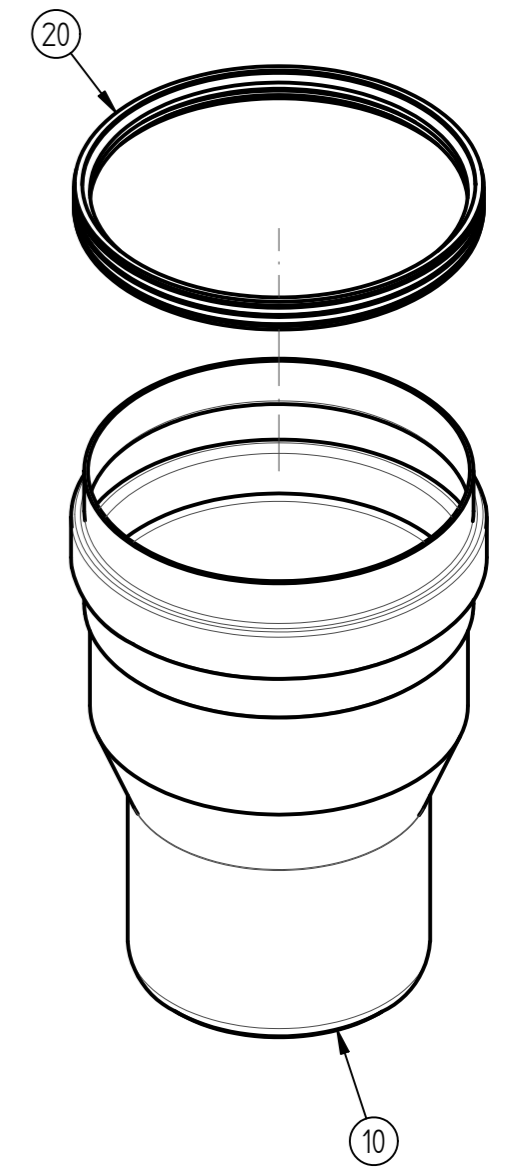
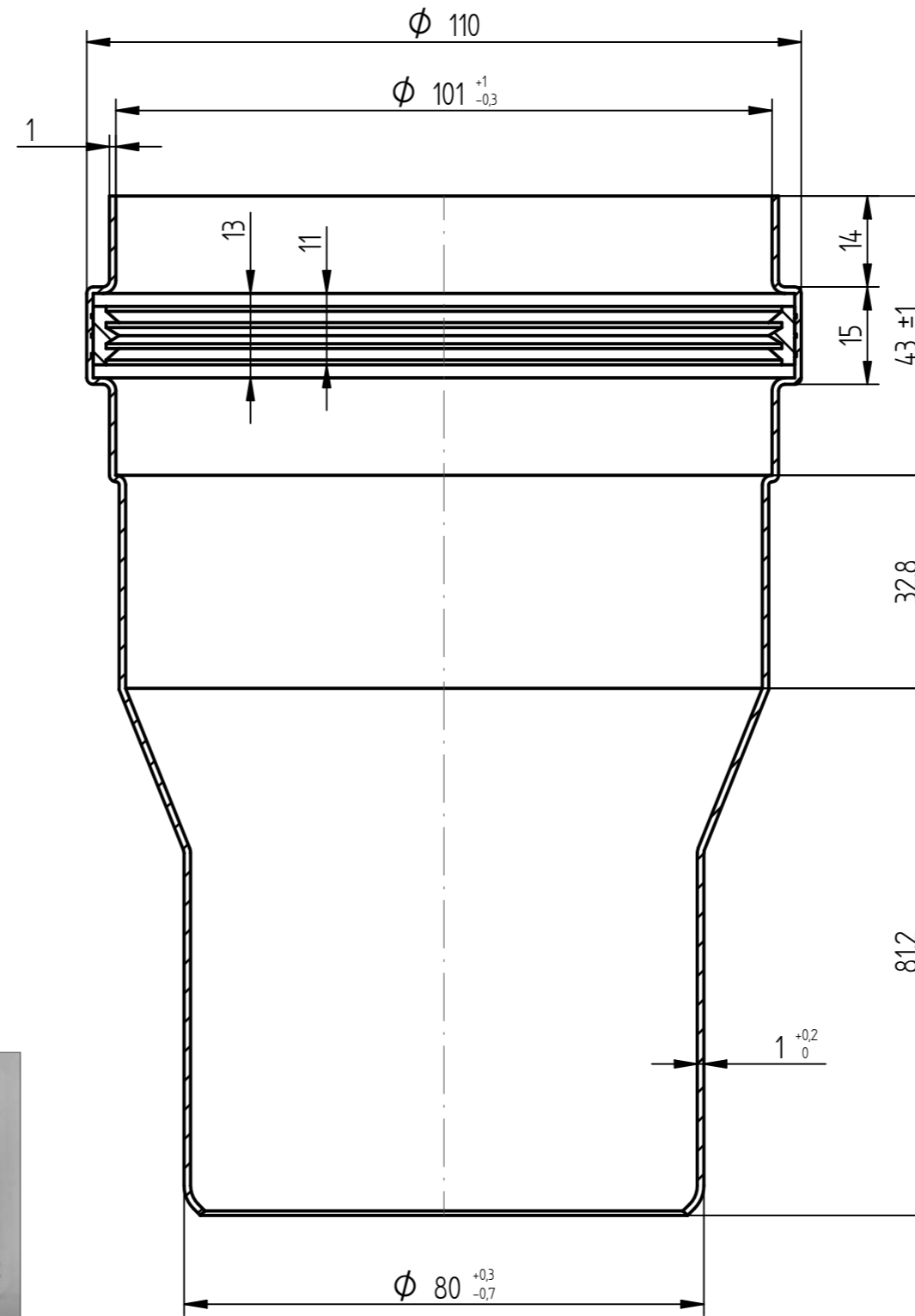
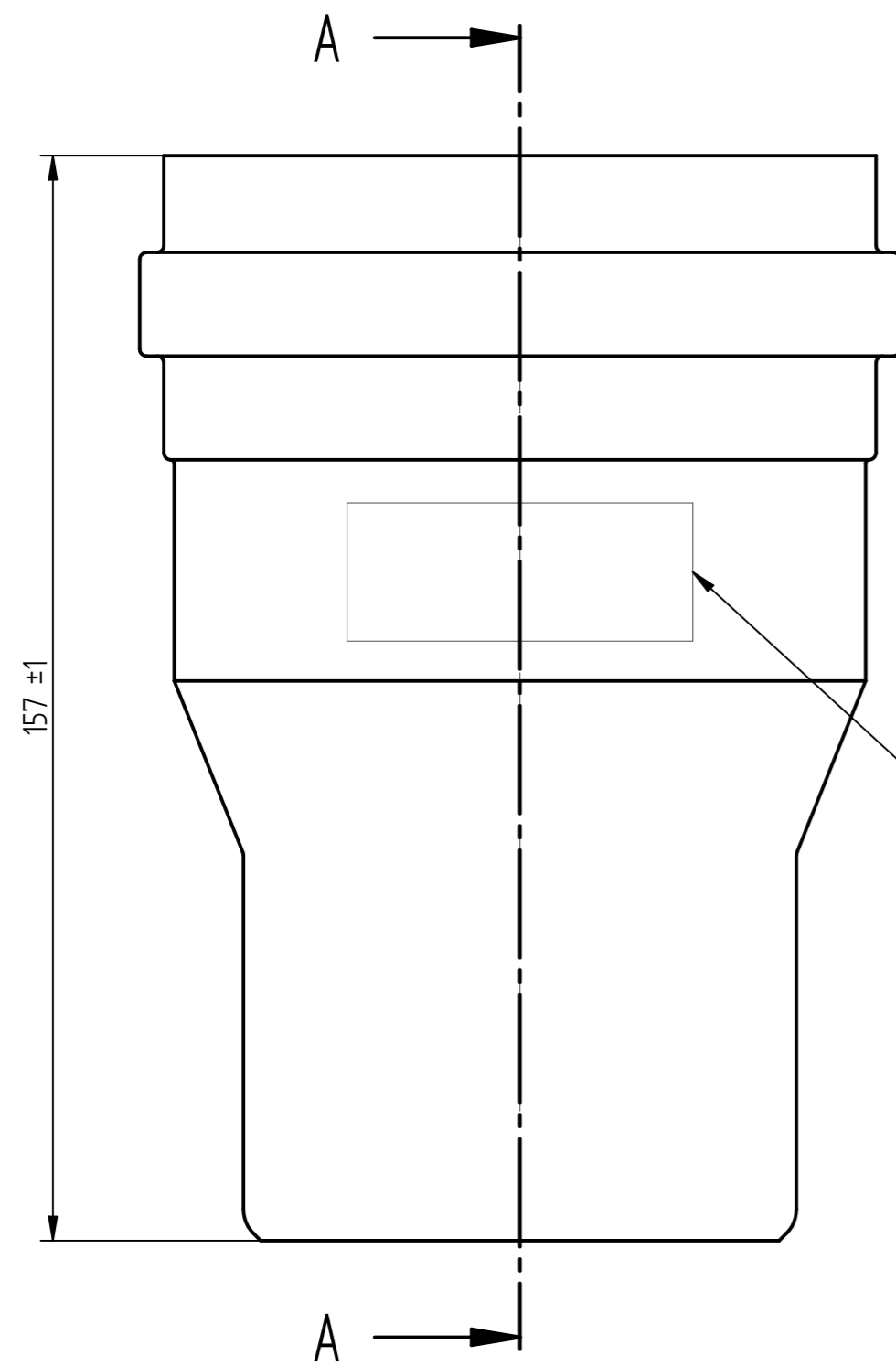


ALL COMPONENTS MUST COMPLY WITH THE EUROPEAN DIRECTIVE ON THE RESTRICTION OF THE USE OF THE CERTAIN HAZARDOUS SUBSTANCES (RoHS)  
CHECK REVISION AND STATUS BEFORE USE



STANDARD REFERENCE LABEL  
(EXAMPLE)

INDICATIVE LABEL BY THE SUPPLIER  
DRAWING NOT TO SCALE

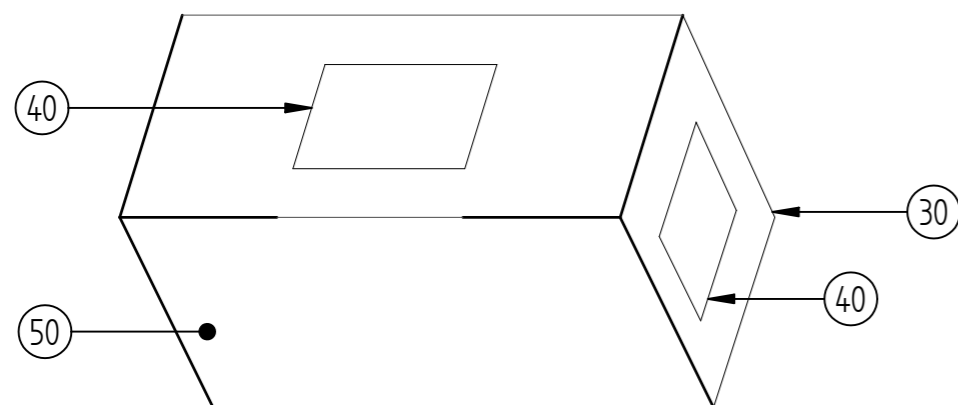
**711450701**

- KIT ADATTATORE PER TUBI COIBENTATI
- KIT ADAPTER FÜR ISOLIERTE ROHRE
- KIT ADAPTEUR POUR CONDUITS CALORIFUGES
- KIT ADAPTADOR PARA TUBOS AISLADOS
- KIT ADAPTADOR PARA TUBOS CALORIFUGOS

codice a barre tipo C39 vedi 711...  
\*711468101\*

ITEM CODE SUPPLIER : 714030511  
ITEM SUPPLIER : ADATTATORE PER TUBI COIBENTATI

FINISHED PRODUCT CODE PACKED BAXI : 711450701



DRAWING BOX AND PARTICULAR NOT TO SCALE

NOTES :  
PROVISION OF ARTICLE WITH SEAL IN SINGLE BOX

ITEM NO	PART NUMBER	DESCRIPTION	QTY
50	917804	INSTRUCTION KIT	1
40	7114682	LABEL IDENTIFICATION KIT 711450701	2
30	XXXXXX	BOX PACKING KIT 110X110X150	1
20	7114680	SILICON TRIPLE LIP D. 100	1
10	XXXXXX	FITTING D.100F/D.80M AL WHITE PAINTED RAL 9003	1

Change Description Refers To

DIMENSION TOLERANCE TO ISO 14405 © All Dimensions Must Meet Envelope Requirements. Tolerance: ISO 2768 mK

A2 Sheet No.: 1 of 1 First Angle Projection

Units: mm Scale: 1:1

Creator: Dalla Costa Mauro Date Of Issue: 26-Jul-13

Title: ADAPTER FOR INSULAT.PIPES KIT

Release Status: Production Work In Progress When Blank Item Number: 7114507 Revision: 01

THE REPRODUCTION, DISTRIBUTION AND UTILIZATION OF THIS DOCUMENT AS WELL AS THE COMMUNICATION OF ITS CONTENTS TO OTHERS WITHOUT EXPRESS AUTHORIZATION IS PROHIBITED. OFFENDERS WILL BE HELD LIABLE FOR THE PAYMENT OF DAMAGE. ALL RIGHTS RESERVED IN THE EVENT OF THE GRANT OF A PATENT, UTILITY MODEL OR DESIGN.