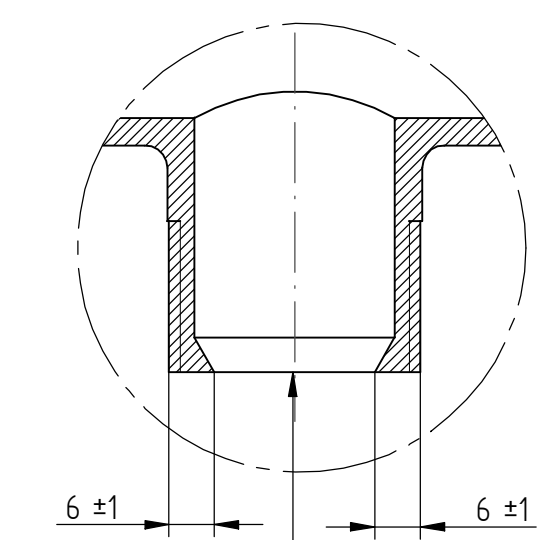
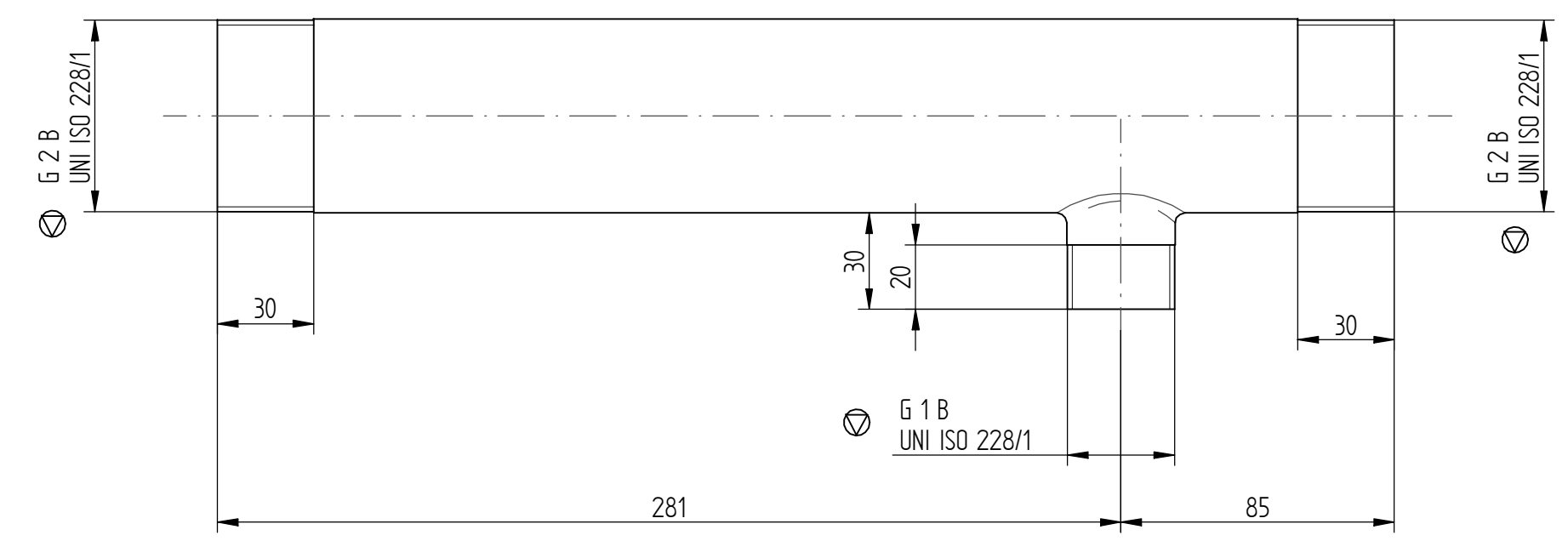
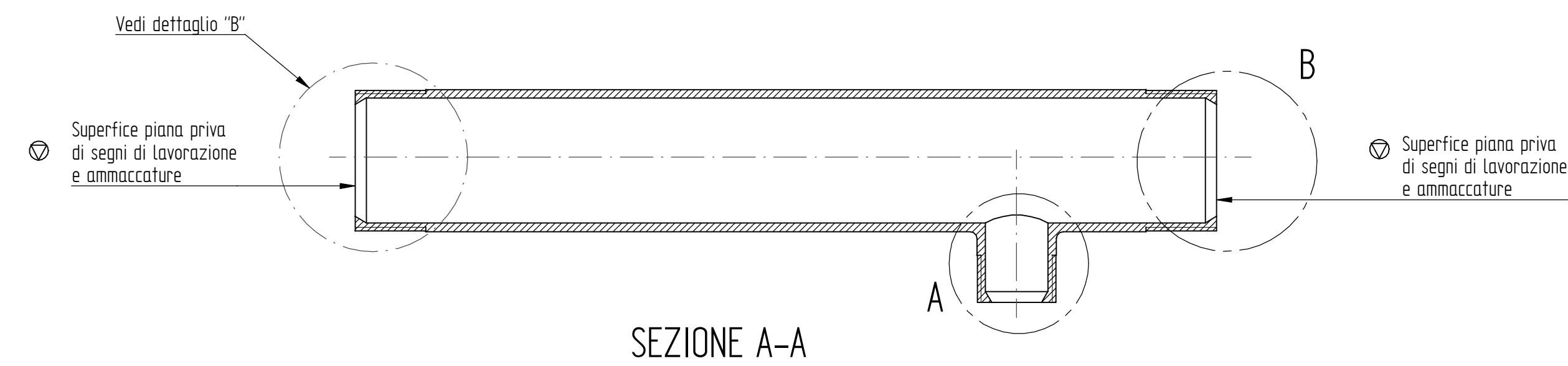


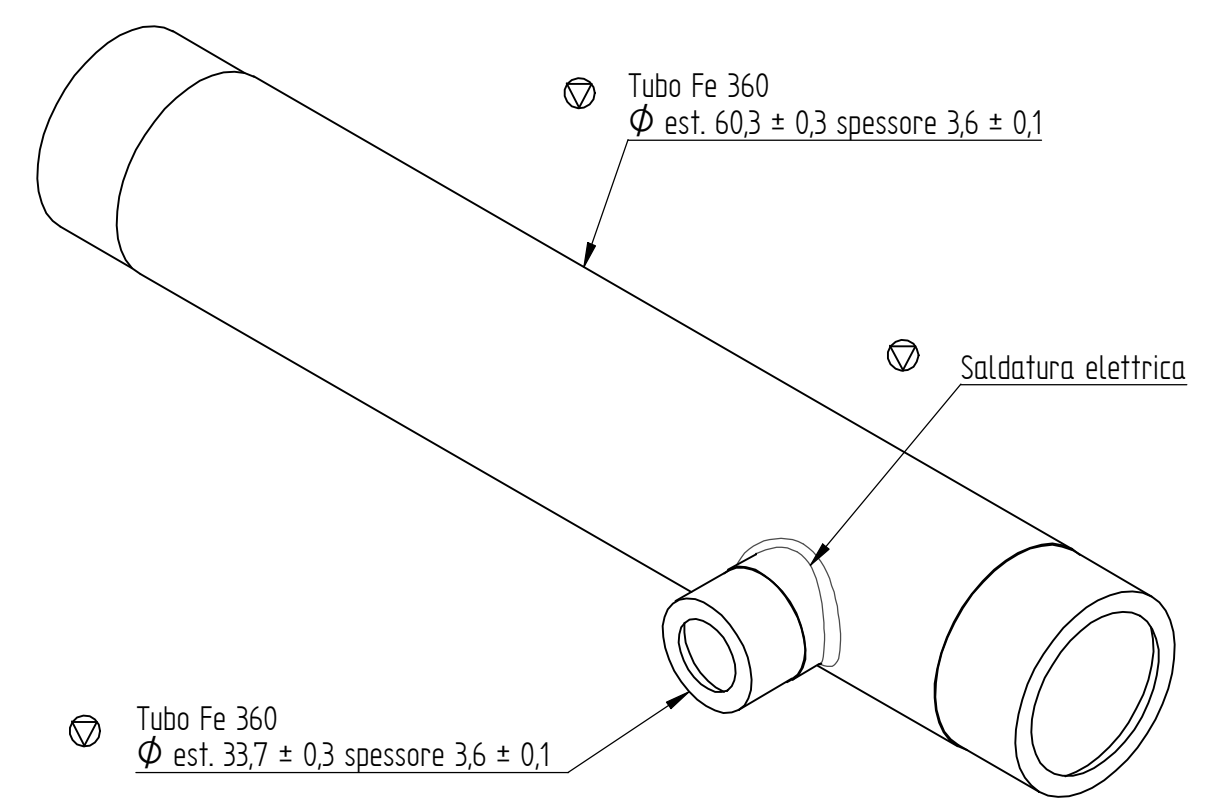
DETTAGLIO B  
1:1



DETTAGLIO A  
1:1



SEZIONE A-A



COMPONENTE DI SICUREZZA CON CONSERVAZIONE DI DOCUMENTI	
LE CARATTERISTICHE CONTRASSEGNAE CON	SONO DI SICUREZZA
QUESTO DISEGNO CONTIENE N°10 CARATTERISTICHE DI SICUREZZA	

**NOTE**

- Il particolare deve essere esente da bave, screpolature, trucioli di lavorazione
- Particolare destinato a contenere gas combustibile. Deve garantire la tenuta pneumatica alla pressione di 150 mbar con una fuga massima consentita di 0,03 dm<sup>3</sup>/h
- Il particolare deve essere inoltre immerso in acqua e collaudato con aria a una pressione uguale o superiore a 6 bar
- Finitura: Zincata

REVISION	MODIFICATION	ENGINEER	REFERS TO	DATE																																																																	
<b>BAXI S.p.A.</b>		<b>Production</b>		<b>7104992,01</b>																																																																	
A MEMBER OF BAXI GROUP		ENGINEER: <b>Ceccato</b>	DATE: <b>05-Oct-10</b>	SHEET No. <b>1 of 1</b>																																																																	
© 2009		TITLE: <b>COLLET. GAS 1 CALDAIA 50-60-70</b>																																																																			
UNITS: mm	SCALE: 1:2	MATERIAL SPECIFICATION:																																																																			
FIRST ANGLE PROJECTION		TOLERANCE TO EN 22768 - mK UNLESS OTHERWISE SPECIFIED		QUALITY SIGNIFICANCE: [C]=CRITICAL [I]=IMPORTANT																																																																	
<table border="1"> <tr> <th>CLASS m</th> <th>0,1</th> <th>0,2</th> <th>0,3</th> <th>0,4</th> <th>0,5</th> <th>0,6</th> <th>0,8</th> <th>1,0</th> <th>1,2</th> <th>1,5</th> <th>2,0</th> <th>2,5</th> <th>3,0</th> <th>4,0</th> <th>5,0</th> </tr> <tr> <td>LINEAR</td> <td>±0,1</td> <td>±0,1</td> <td>±0,2</td> <td>±0,3</td> <td>±0,4</td> <td>±0,5</td> <td>±0,6</td> <td>±0,8</td> <td>±1,0</td> <td>±1,2</td> <td>±1,5</td> <td>±2,0</td> <td>±2,5</td> <td>±3,0</td> <td>±4,0</td> </tr> <tr> <td>RADI &amp; CHAMFERS</td> <td>±0,1</td> <td>±0,1</td> <td>±0,2</td> <td>±0,3</td> <td>±0,4</td> <td>±0,5</td> <td>±0,6</td> <td>±0,8</td> <td>±1,0</td> <td>±1,2</td> <td>±1,5</td> <td>±2,0</td> <td>±2,5</td> <td>±3,0</td> <td>±4,0</td> </tr> <tr> <td>ANGULAR</td> <td>±1'</td> <td>±1'</td> <td>±1'</td> <td>±1'</td> <td>±1'</td> <td>±1'</td> <td>±1'</td> <td>±1'</td> <td>±1'</td> <td>±1'</td> <td>±1'</td> <td>±1'</td> <td>±1'</td> <td>±1'</td> <td>±1'</td> </tr> </table>		CLASS m	0,1	0,2	0,3	0,4	0,5	0,6	0,8	1,0	1,2	1,5	2,0	2,5	3,0	4,0	5,0	LINEAR	±0,1	±0,1	±0,2	±0,3	±0,4	±0,5	±0,6	±0,8	±1,0	±1,2	±1,5	±2,0	±2,5	±3,0	±4,0	RADI & CHAMFERS	±0,1	±0,1	±0,2	±0,3	±0,4	±0,5	±0,6	±0,8	±1,0	±1,2	±1,5	±2,0	±2,5	±3,0	±4,0	ANGULAR	±1'	±1'	±1'	±1'	±1'	±1'	±1'	±1'	±1'	±1'	±1'	±1'	±1'	±1'	±1'	ITEM CATEGORY (1, 2 OR 3)		<b>1</b>	<b>A2</b>
CLASS m	0,1	0,2	0,3	0,4	0,5	0,6	0,8	1,0	1,2	1,5	2,0	2,5	3,0	4,0	5,0																																																						
LINEAR	±0,1	±0,1	±0,2	±0,3	±0,4	±0,5	±0,6	±0,8	±1,0	±1,2	±1,5	±2,0	±2,5	±3,0	±4,0																																																						
RADI & CHAMFERS	±0,1	±0,1	±0,2	±0,3	±0,4	±0,5	±0,6	±0,8	±1,0	±1,2	±1,5	±2,0	±2,5	±3,0	±4,0																																																						
ANGULAR	±1'	±1'	±1'	±1'	±1'	±1'	±1'	±1'	±1'	±1'	±1'	±1'	±1'	±1'	±1'																																																						

REFER TO  
COMMON  
DRAWING  
7214087

CONSULTARE  
IL DISEGNO  
COMUNE  
7214087

ALL COMPONENTS MUST COMPLY WITH THE EUROPEAN DIRECTIVE ON THE RESTRICTION OF THE USE OF CERTAIN HAZARDOUS SUBSTANCES (RoHS).  
CHECK REVISION AND STATUS BEFORE USE.

The three collectors must be packaged separately and then held together by a nylon film in order to be protected in handling.

- Label format at the discretion of the supplier.
- Indicative layout.
- Color BLACK.

**THE LABEL MUST BE APPLIED ON THE PROTECTIVE NYLON FILM**

**7105775**

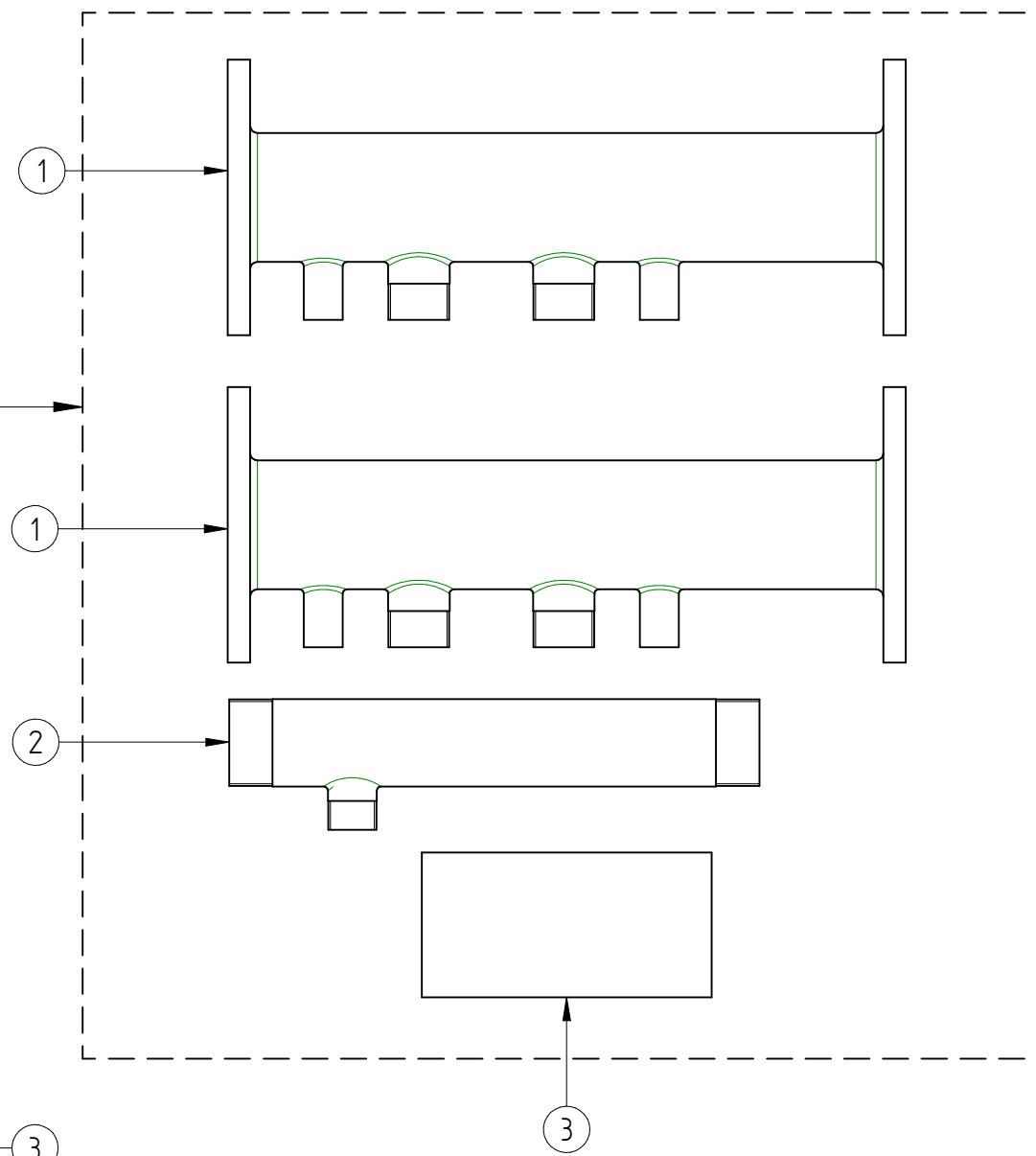
BARCODE C39  
\*7105775\*

BARCODE EAN13  
\*8022945936215\*

**7735759**

BARCODE C39  
\*7735759\*

(IT) Kit collettori per caldaia singola da 50/60/70  
(GB) Manifolds kit for single boiler 50/60/70  
(FR) Kit collecteurs pour chaudière unique de 50/60/70  
(ES) Kit colector para una única caldera de 50/60/70  
(PT) Kit colector para uma caldeira 50/60/70



3	Etichetta imballo kit	1			//
2	Collettore gas una caldaia 50-60-70	1			7104992
1	Collettore una caldaia 50-60-70	2			7104681
Pos.	DENOMINAZIONE				Codice

Replace item 7105775		PC13120	
Change Description			Refers To
DIMENSION TOLERANCE TO ISO 14405	QUALITY SIGNIFICANCE: [C] DENOTES A CRITICAL DIMENSION. DEVIATION FROM THE SPECIFICATION MAY COMPROMISE THE SAFETY AND/OR THE FUNCTIONALITY OF THE FINISHED PRODUCT.	Tolerance: ISO 2768 - cK	
A3	Sheet No.: 1 of 1	First Angle Projection	Material specification:
Units: mm	Scale: 1:5		Creator: Scalco, Stefano
BDR THERMEA GROUP		Date of Issue: 03-Jul-2019	
		Title: COLL. KIT 1 BOILER 50-60-70	
Release Status: Production		Work In Progress When Blank	Item Number: 7735759
			Revision: 01

THE REPRODUCTION, DISTRIBUTION AND UTILIZATION OF THIS DOCUMENT AS WELL AS THE COMMUNICATION OF ITS CONTENTS TO OTHERS WITHOUT EXPRESS AUTHORIZATION IS PROHIBITED. OFFENDERS WILL BE HELD LIABLE FOR THE PAYMENT OF DAMAGE. ALL RIGHTS RESERVED IN THE EVENT OF THE GRANT OF A PATENT, UTILITY MODEL OR DESIGN.

ALL COMPONENTS MUST COMPLY WITH THE EUROPEAN DIRECTIVE ON THE RESTRICTION OF THE USE OF CERTAIN HAZARDOUS SUBSTANCES (RoHS).  
CHECK REVISION AND STATUS BEFORE USE.

110 ±1

**7214087** **7735597**

C39 BARCODE ZONE  
7214087

C39 BARCODE ZONE  
7735597

EAN 13 BARCODE ZONE  
8022945937915

(IT) Kit flange e guarnizioni Duo-Tec MP+/Power HT+  
(GB) Flanges and gaskets kit Duo-Tec MP+/Power HT+  
(FR) Kit brides pleines et joints Duo-Tec MP+/Power HT+  
(ES) Kit de pletinas y juntas Duo-Tec MP+/Power HT+  
(PT) Kit de flanges e juntas Duo-Tec MP+Power HT+  
7735598

**7214087** **7735597**

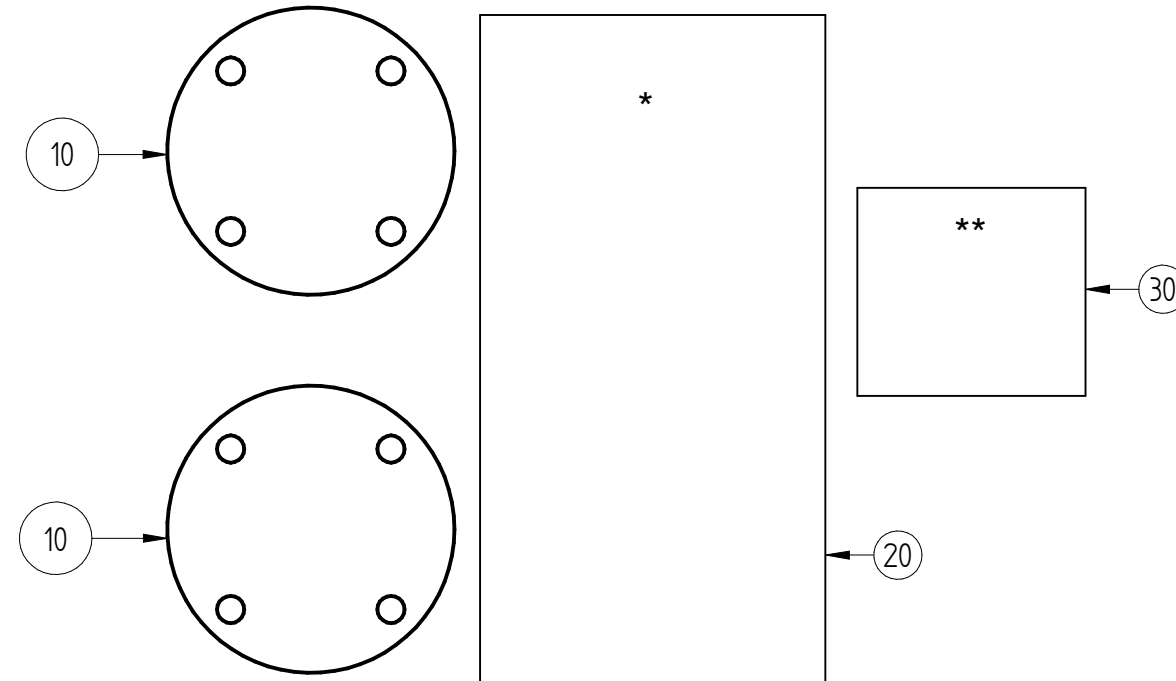
C39 BARCODE ZONE  
7214087

C39 BARCODE ZONE  
7735597

EAN 13 BARCODE ZONE  
8022945937915

(IT) Kit flange e guarnizioni Duo-Tec MP+/Power HT+  
(GB) Flanges and gaskets kit Duo-Tec MP+/Power HT+  
(FR) Kit brides pleines et joints Duo-Tec MP+/Power HT+  
(ES) Kit de pletinas y juntas Duo-Tec MP+/Power HT+  
(PT) Kit de flanges e juntas Duo-Tec MP+Power HT+  
7735598

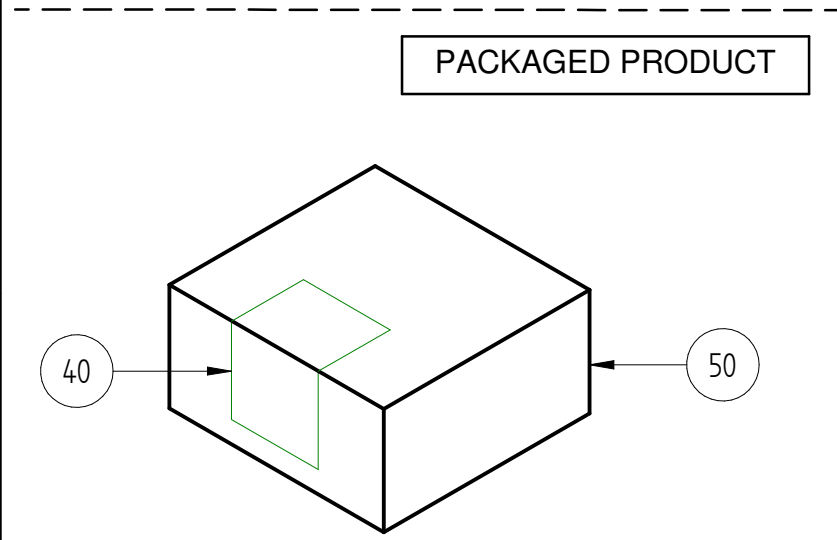
150 ±1



- \* Bag includes:
- n° 16 Bolts M16x60 TE code 311090.
  - n° 16 Washers M16 code 311091.
  - n° 16 Nuts M16 code 311092.
  - n° 1 Blind cap G 2" code 311093.
  - n° 1 Bag 250x350 code 7101222.
  - n° 3 Staples 648 code 7101134.

- \*\* Bag includes:
- n° 4 Flange gaskets DN80 code 340224.
  - n° 2 Gaskets G2" code 340246.
  - n° 1 Bag 150x200 code 7101132.
  - n° 2 Staples 648 code 7101134.

40



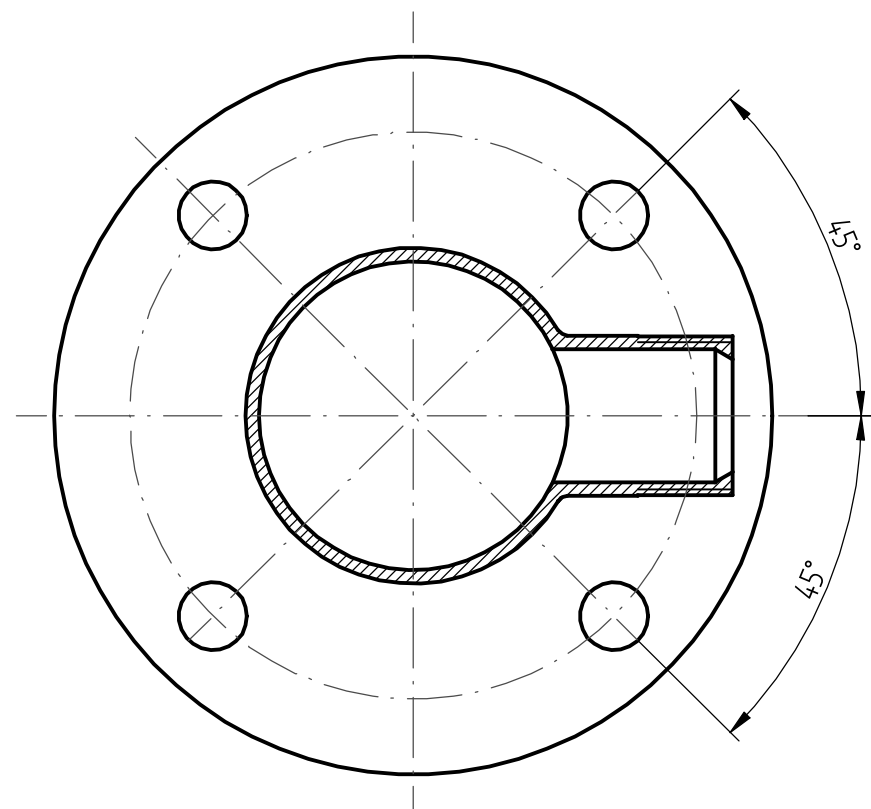
**NOTE:**

- Print be made by thermal transfer
- Graphic and character are indicative
- Graphic black color
- Neutral label code 7103640

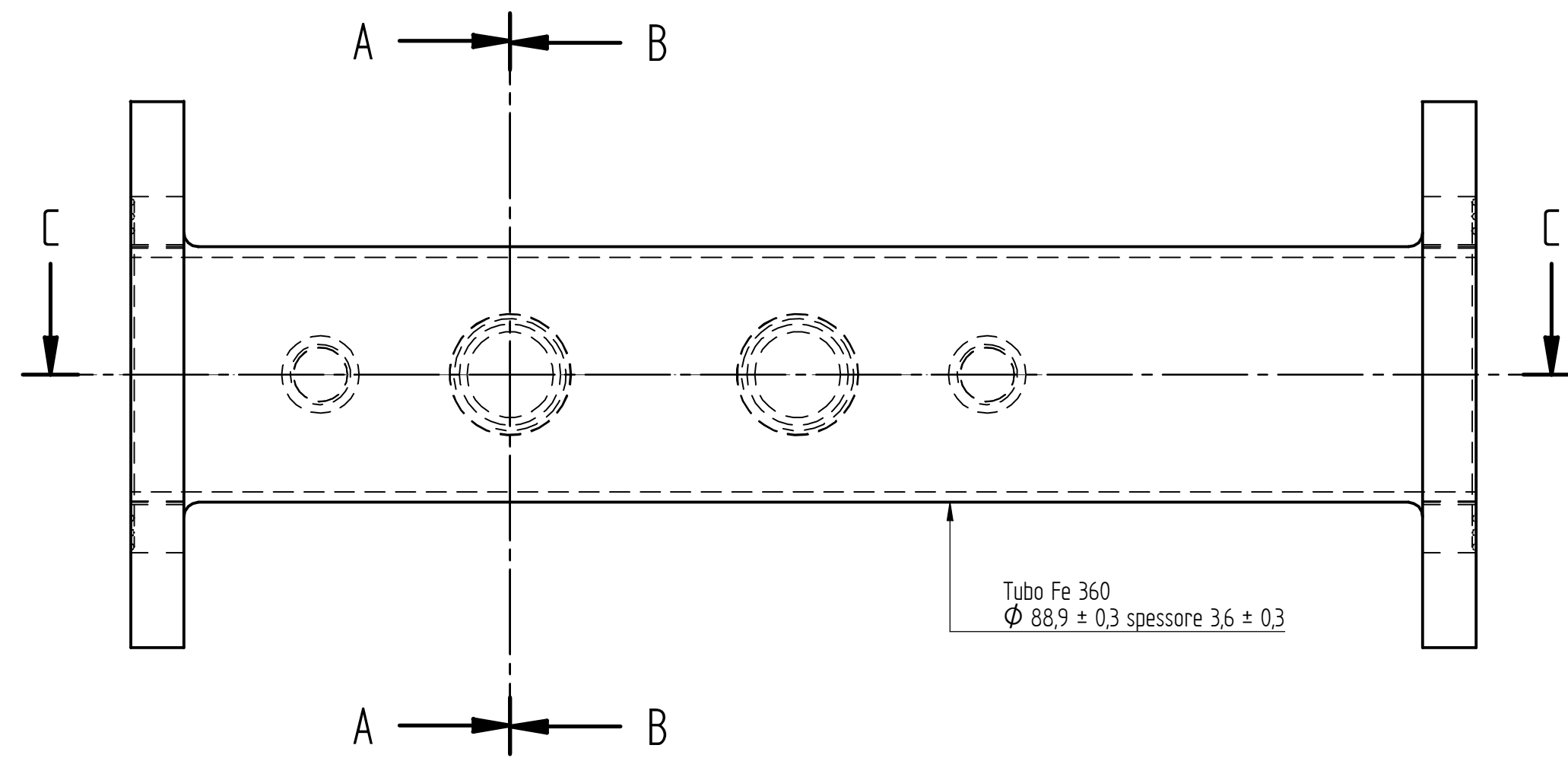
Item No	Description	Q.ty	Code
50	Carton box 250x250x70	1	956182
40	Packaging label kit 7735611	1	7647407
30	Assembly gasket bag	1	7214089
20	Assembly caps, bolts bag	1	7214088
10	Blind flange DN 80 PN 6	2	311095

Change Description			Refers To
DIMENSION TOLERANCE TO ISO 14405	QUALITY SIGNIFICANCE: [C] DENOTES A CRITICAL DIMENSION. DEVIATION FROM THE SPECIFICATION MAY COMPROMISE THE SAFETY AND/OR THE FUNCTIONALITY OF THE FINISHED PRODUCT.	Tolerance: -	
<b>A3</b>	Sheet No.: 1 of 1	First Angle Projection	Material specification: -
Units : mm	Scale : 1:5	Creator: Battistello, Valentino	Date of Issue: 11-Jun-2019
<b>BDR THERMEA GROUP</b>		Title: KIT FLANGES	Revision : 01
		Release Status: <b>Production</b>	Work In Progress When Blank: 7735597

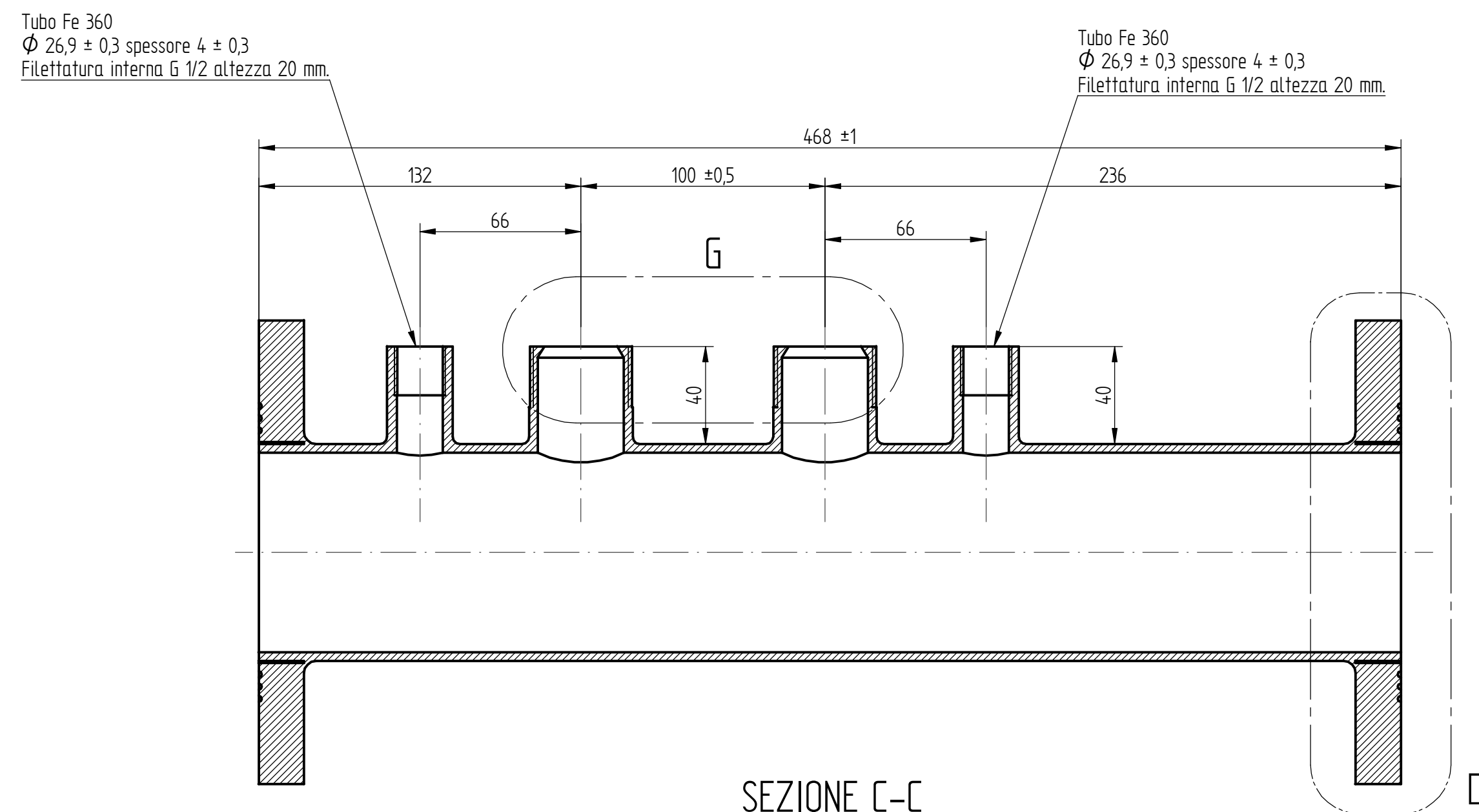
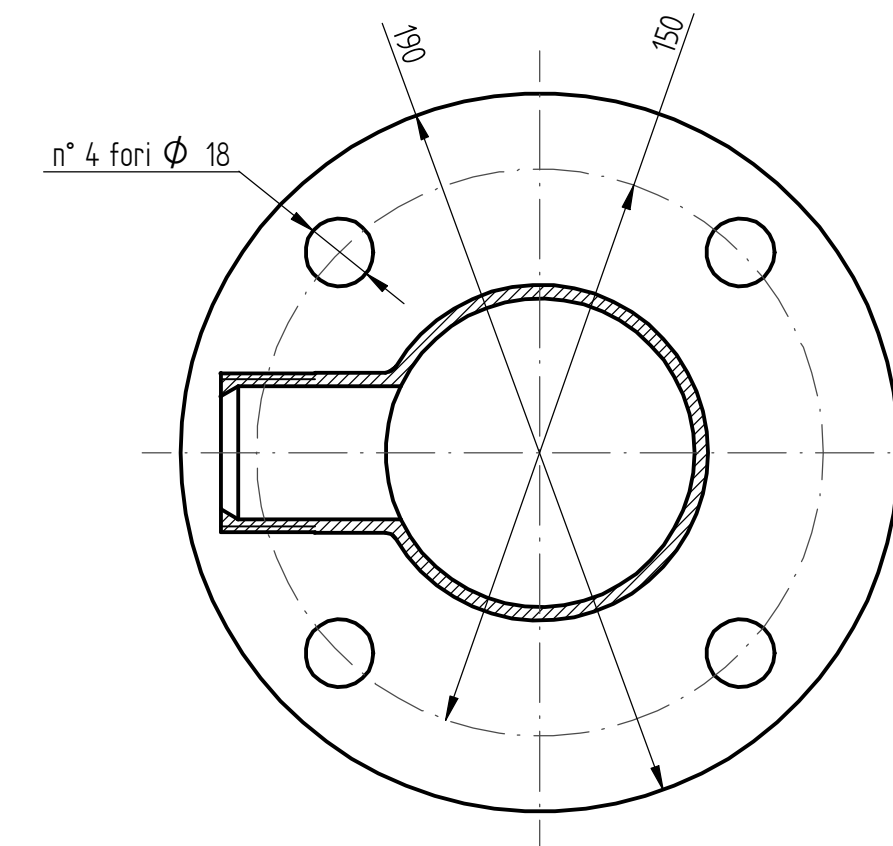
THE REPRODUCTION, DISTRIBUTION AND UTILIZATION OF THIS DOCUMENT AS WELL AS THE COMMUNICATION OF ITS CONTENTS TO OTHERS WITHOUT EXPRESS AUTHORIZATION IS PROHIBITED. OFFENDERS WILL BE HELD LIABLE FOR THE PAYMENT OF DAMAGE. ALL RIGHTS RESERVED IN THE EVENT OF THE GRANT OF A PATENT, UTILITY MODEL OR DESIGN.



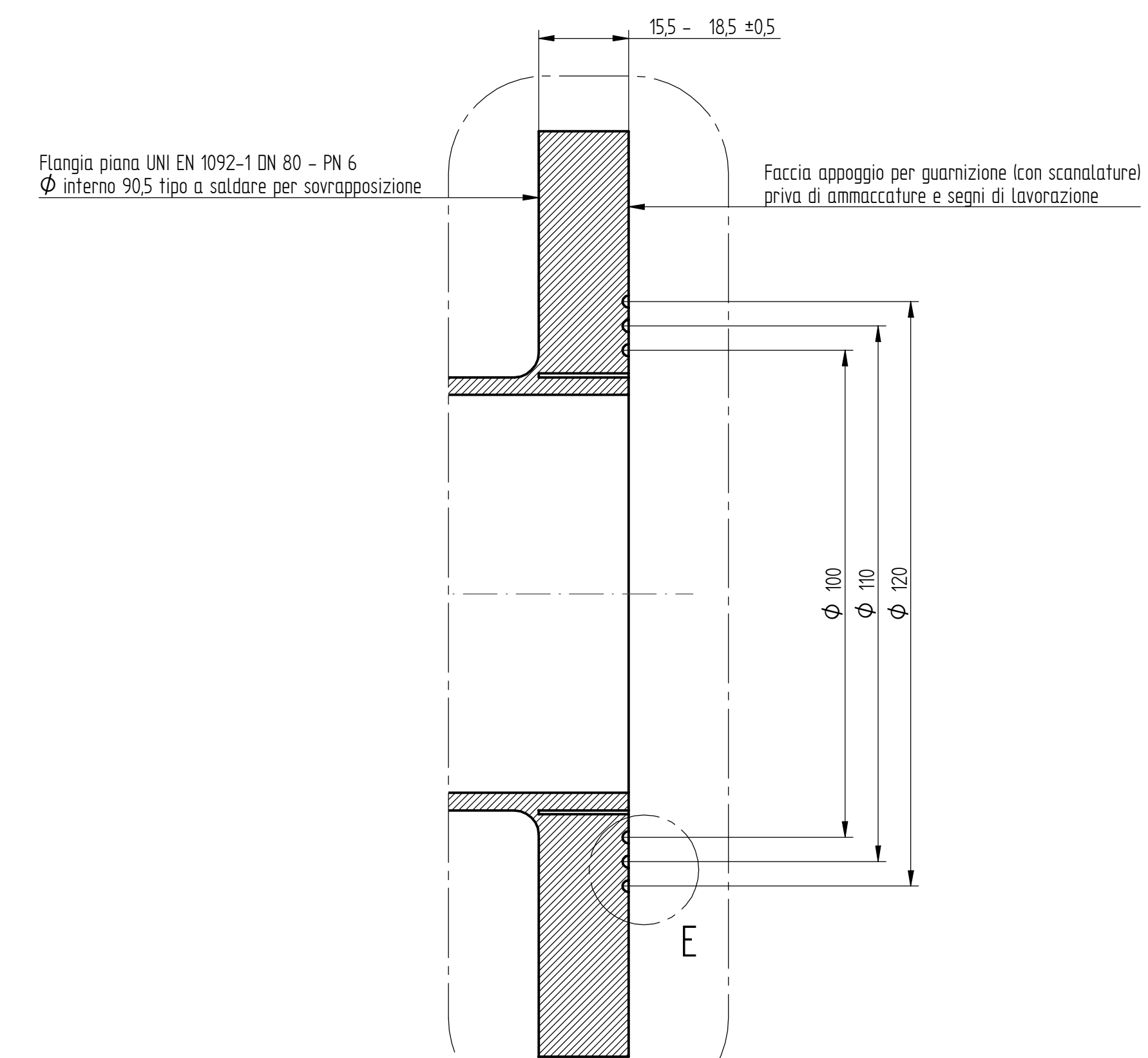
SEZIONE B-B



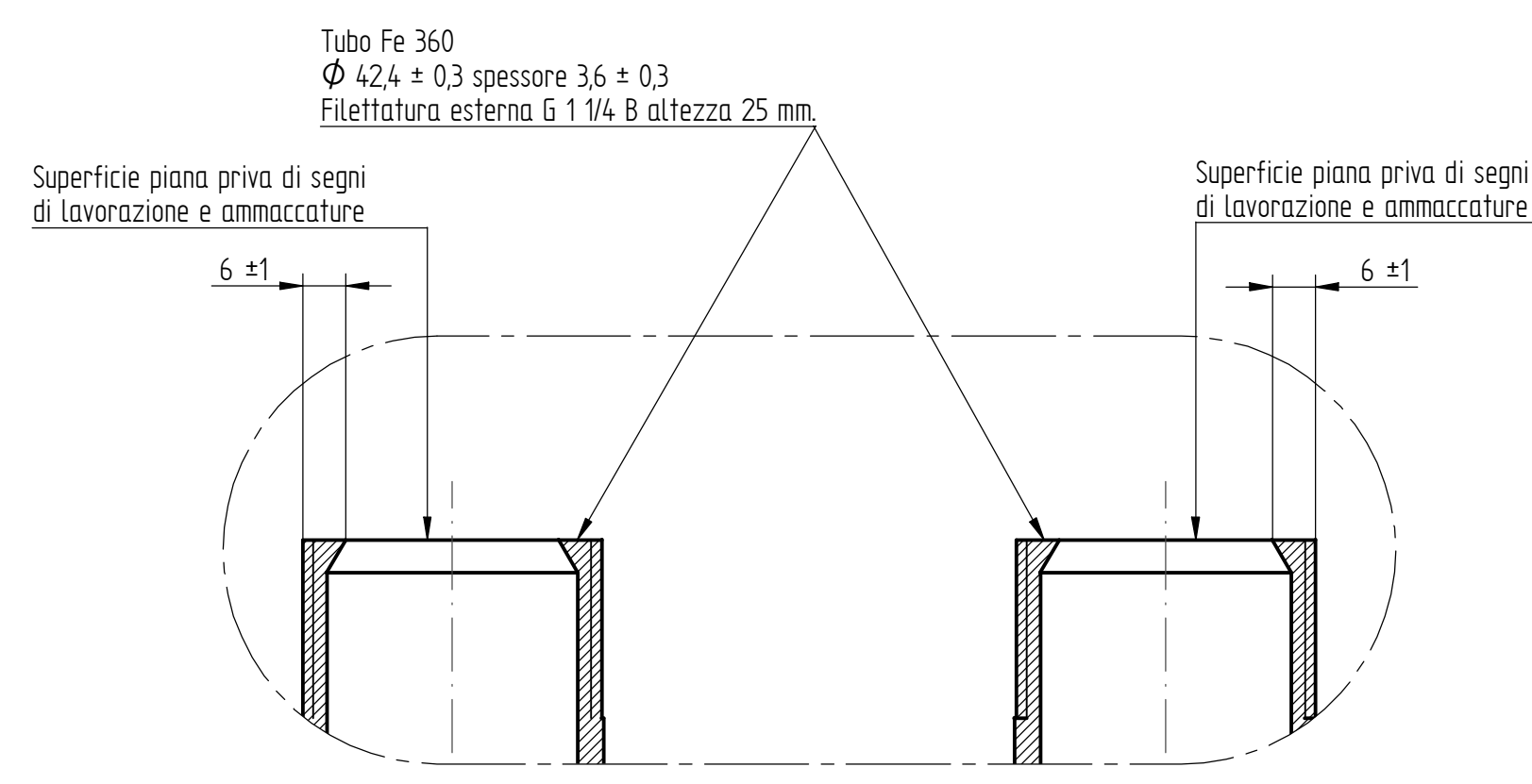
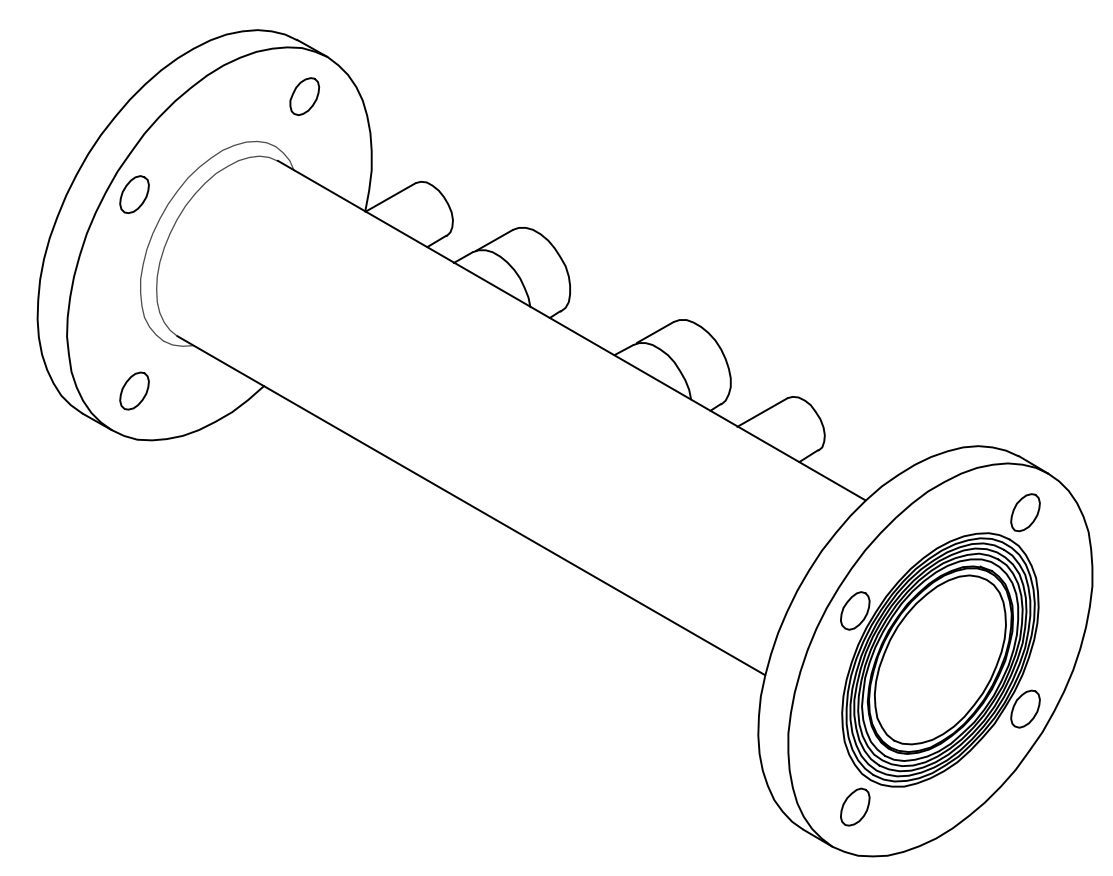
SEZIONE A-A



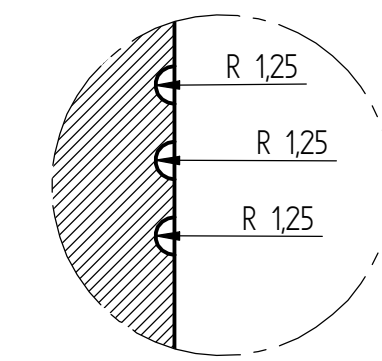
SEZIONE C-C



DETTAGLIO D  
1:1



DETTAGLIO G  
1:1



DETTAGLIO E  
2:1

**NOTE**  
 - L'interno del tubo deve essere privo di sporco, trucioli, residui di lavorazione, ecc.  
 - Il particolare deve essere esente da bave e screpolature  
 - Pressione di collaudo: 4.5 bar  
 - Le flange, i tronchetti e i manicotti devono essere saldati elettricamente  
 - Tolleranze sulle lunghezze dei tronchetti e manicotti: +2 / -0  
 - Finitura: zincata

REVISION	MODIFICATION	ENGINEER	REFERS TO	DATE
<b>BAXI S.p.A.</b>		ENGINEER: <b>Ceccato</b>	ITEM NUMBER: <b>7104681.01</b>	REVISION: <b>1 of 1</b>
© 2009		DATE: <b>05-Oct-10</b>		
UNITS/SCALE mm 1:2		TITLE <b>COLLET. 1 CALDAIA 50-60-70</b>		
FIRST ANGLE PROJECTION		QUALITY SIGNIFICANCE		
TOLERANCE TO EN 22768 - mk UNLESS OTHERWISE SPECIFIED		[C]-CRITICAL [I]-IMPORTANT		
ITEM CATEGORY (1, 2 OR 3)		[3] [A1]		