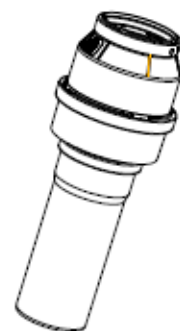
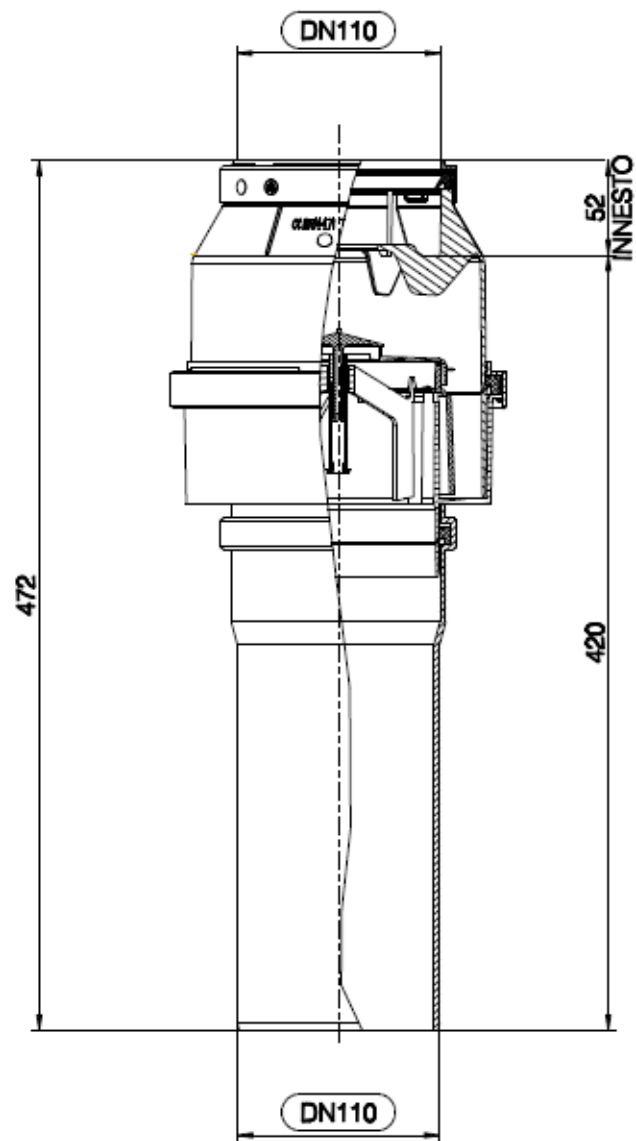


ALL COMPONENTS MUST COMPLY WITH THE EUROPEAN DIRECTIVE ON THE RESTRICTION OF THE USE OF CERTAIN HAZARDOUS SUBSTANCES (RoHS).
CHECK REVISION AND STATUS BEFORE USE.



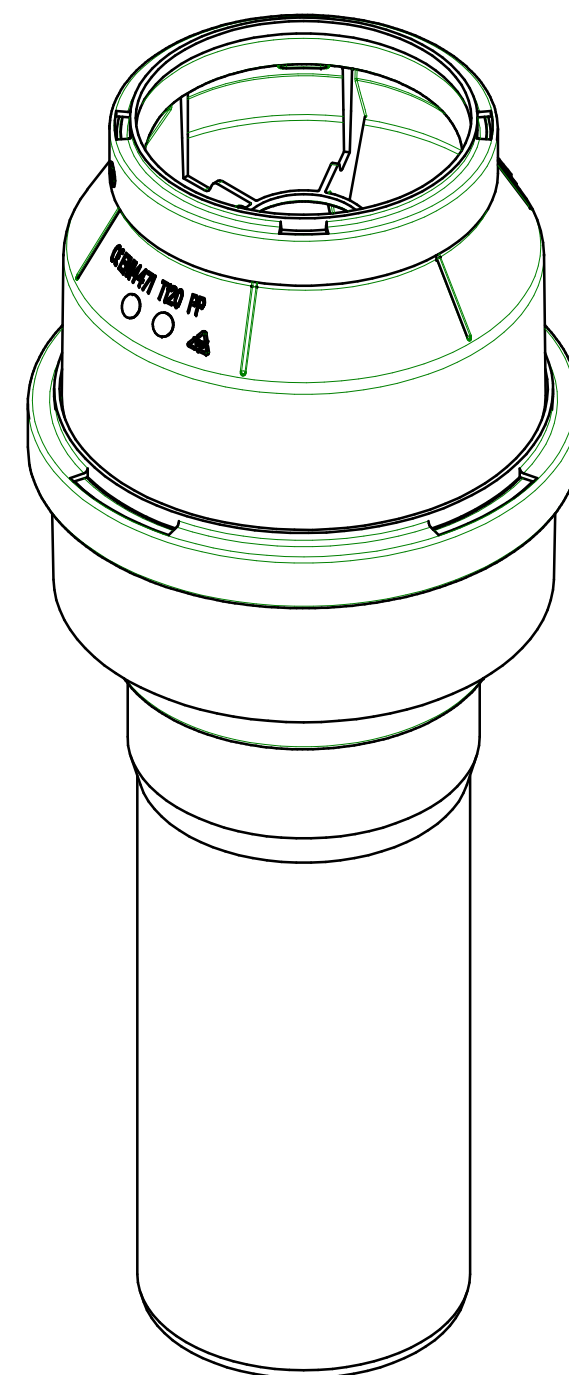
Label format follows supplier preferences.
- Indicative fonts and graphics.
- BLACK graphics.

770081101

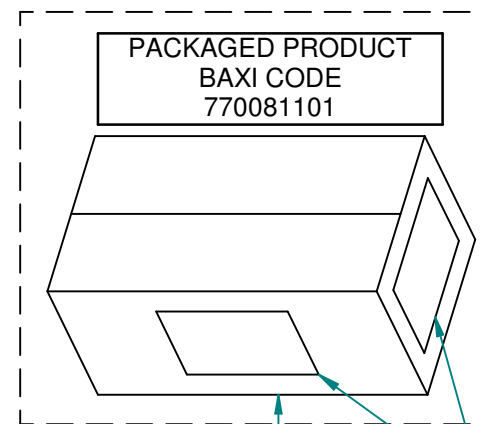
- ANTIRETURN DAMPER 110/110
- ABGASKLAPPE 110/110
- KIT CLAPET 110/110
- TAPA DE NO RETORNO 110/110
- KIT ANTI-RETORNO 110/110
- SET KLEP 110/110
- KIT CLAPET 110/110

BARCODE C39

BARCODE EAN 13
8022945939063



N.B. BOX DRAWING NOT IN SCALE



Packaging box (Supplier)

Packaging label (Supplier)

pos	descrizione	codice	q.tà	materiale
3	Riduzione DN110-160 PPTi	11392	1	PP traslucido
2	clapet DN160-110 PPTi	11335	1	PP traslucido
1	prolunga DN110 L216 PPTi	11239	1	PP traslucido

revisioni		materiale - note	
no.	data	descrizione	note
		PP traslucido	
		guarn. EPDM Perossid grigio	
art. 11467		Kit clapet DN160-110 PPTi	
		tolleranza generale DIN 16801 - 150	scale 0.300
Rev.	disegnato	approvato	data
00	clarial		26-Oct-16

Change Description		Refers To	
DIMENSION TOLERANCE TO ISO 14405		QUALITY SIGNIFICANCE: [C] DENOTES A CRITICAL DIMENSION. DEVIATION FROM THE SPECIFICATION MAY COMPROMISE THE SAFETY AND/OR THE FUNCTIONALITY OF THE FINISHED PRODUCT.	
Tolerance: - See supplier tolerances		Material specification: -	
A3	Sheet No.: 1 of 1	First Angle Projection	Creator: Ceccato, Sergio
Units: mm	Scale: 1:1		Date of Issue: 13-Mar-2018
BDR THERMEA GROUP		Title: CLAPET DN 110-110	
Release Status: Production		Work In Progress When Blank	Item Number: 7700811
			Revision: 01

THE REPRODUCTION, DISTRIBUTION AND UTILIZATION OF THIS DOCUMENT AS WELL AS THE COMMUNICATION OF ITS CONTENTS TO OTHERS WITHOUT EXPRESS AUTHORIZATION IS PROHIBITED. OFFENDERS WILL BE HELD LIABLE FOR THE PAYMENT OF DAMAGE. ALL RIGHTS RESERVED IN THE EVENT OF THE GRANT OF A PATENT, UTILITY MODEL OR DESIGN.