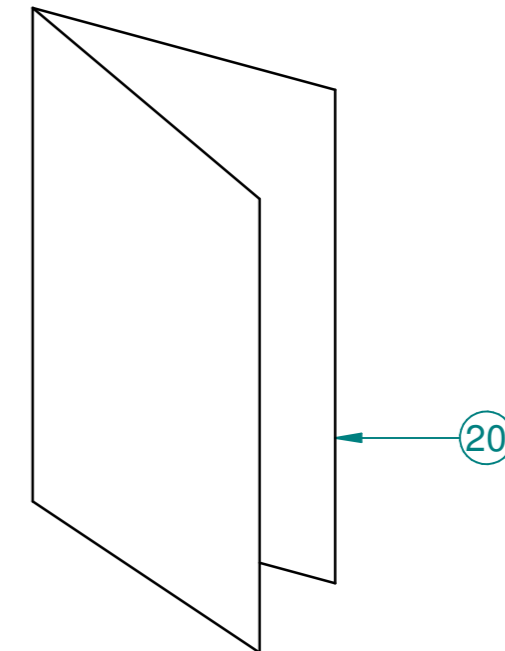
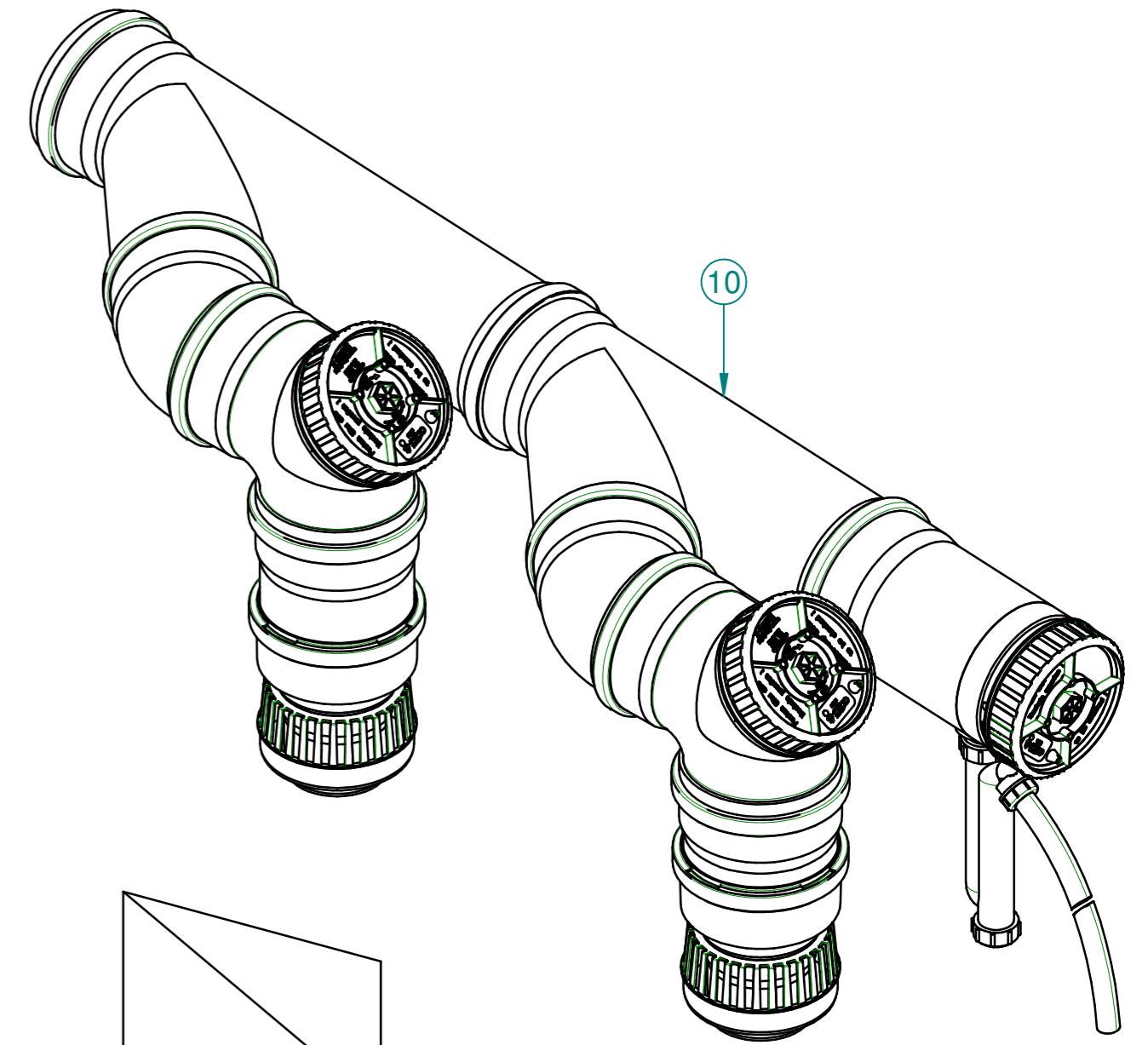


pos	descrizione	codice	q.tà	materiale
11	collettore DN160 1xDN160-42° L620 PPTi	11521	1	PP traslucido
10	prolunga DN160 L135 PPTi	11518	1	PP traslucido
9	clapet DN160-110 PPTi	11335	2	PP traslucido
8	collettore DN160 1xDN160-42° L500 PPTi	11326	1	PP traslucido
7	prolunga DN160 L100 PPTi	11283	1	PP traslucido
6	prolunga DN110 L78 PPTi	10811	2	PP traslucido
5	curva ispezione DN160 PPTi	10131	2	PP traslucido
4	curva 45° DN160 PPTi	10110	2	PP traslucido
3	chiusino scarico condensa DN160 PPTi	10022	1	PP traslucido
2	griglia DN160 PP Bianco	05430	2	PP bianco
1	sifone PPTi	05002	1	PP traslucido

art. 11524		kit base cascata DN160 i620	
		tolleranza generale DIN 15001 - 150	scala 0,120
Rev.	00	disegnato	daniel
approvato		data	24-Apr-18



A7716634

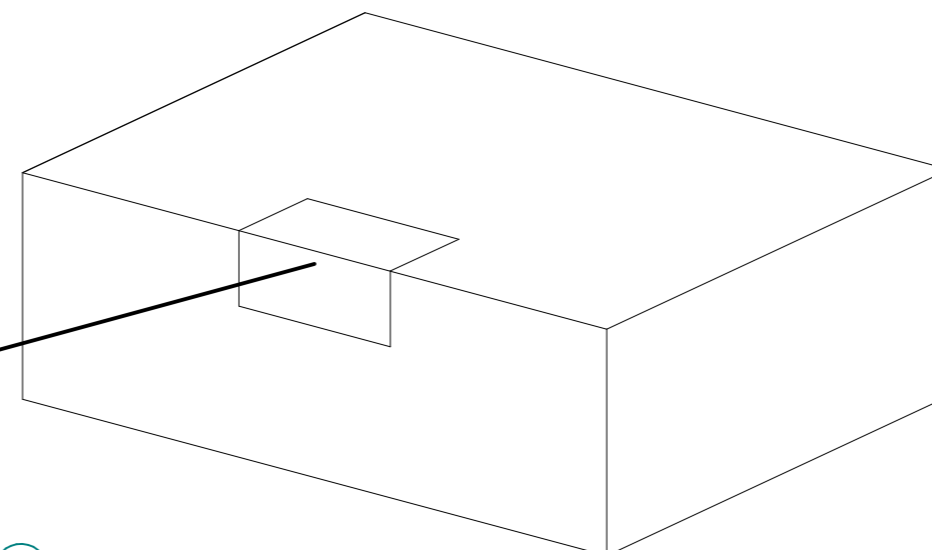
C39 BARCODE
A7716634

EAN13 BARCODE
8022945939513

(IT) - KIT SCARICO FUMI PER DUE CALDAIE 90/150 kW
 (GB) - FLUE SYSTEM KIT FOR TWO BOILERS 90/150 kW
 (DE) - ABGASSYSTEM FÜR ZWEI THERMEN 90/150 kW
 (FR) - KIT SORTIE FUMÉES POUR DEUX CHAUDIÈRES 90/150 kW
 (ES) - KIT EVACUACIÓN PARA DOS CALDERAS 90/150 kW
 (PT) - KIT EVACUAÇÃO FUMOS PARA DUAS CALDEIRA 90/150 kW
 (NL) - SET UITGANG ROOKGAS-EN VOOR TWEE KETELS 90/150 kW

7716634

C39 BARCODE
7716634



Label format follows supplier preferences.
 Indicative fonts and graphics.
 BLACK graphics.

Pos	Qty	BAXI Item	Supplier Item	Description
30	1	/		PACKAGING LABEL KIT 7716634
20	1	7723370		INSTRUCTION SHEET
10	1	/	11524	Kit DN160 i620

DIMENSION TOLERANCE TO ISO 14405		QUALITY SIGNIFICANCE: [C] DENOTES A CRITICAL DIMENSION. DEVIATION FROM THE SPECIFICATION MAY COMPROMISE THE SAFETY AND/OR THE FUNCTIONALITY OF THE FINISHED PRODUCT.		Tolerance: ISO 2768 - cK
A2	Sheet No.: 1 of 1	First Angle Projection		Material specification:
Units: mm	Scale: 1:5			Creator: Scalco, Stefano
BDR THERMEA GROUP		Title: KIT EXHAUST FUMES 2 BOILERS		Date of Issue: 27-Nov-2018
Release Status: Production		Work In Progress When Blank	Item Number: 7716634	Revision: 01

THE REPRODUCTION, DISTRIBUTION AND UTILIZATION OF THIS DOCUMENT AS WELL AS THE COMMUNICATION OF ITS CONTENTS TO OTHERS WITHOUT EXPRESS AUTHORIZATION IS PROHIBITED. OFFENDERS WILL BE HELD LIABLE FOR THE PAYMENT OF DAMAGE. ALL RIGHTS RESERVED IN THE EVENT OF THE GRANT OF A PATENT, UTILITY MODEL OR DESIGN.