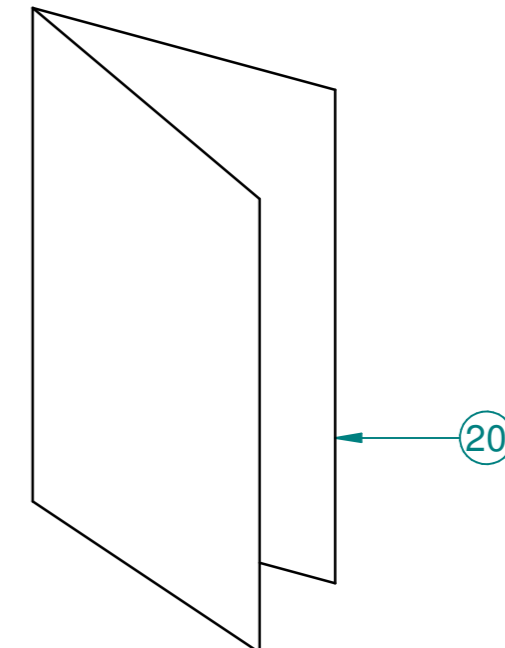


pos	descrizione	codice	q.ta	materiale
8	collettore DN250 1xDN160-42° L620 PPti	11523	1	PP traslucido
7	clapet DN160-110 PPti	11335	1	PP traslucido
6	prolunga DN160 L100 PPti	11283	1	PP traslucido
5	prolunga DN110 L78 PPti	10811	1	PP traslucido
4	prolunga DN160 L250 PPti	10158	1	PP traslucido
3	curva ispezione DN160 PPti	10131	1	PP traslucido
2	curva 45° DN160 PPti	10110	1	PP traslucido
1	griglia DN160 PP Bianco	05430	1	PP bianco

REVISIONI		materiale - note	
02-Jul-18	aggiunte 2 curve 45° DN160 (art. 10110)	PP	traslucido
		guarn. EPDM	Personal piglia

art. 11526	kit 2° ampl. DN250 i620 PPti
------------	------------------------------

	toleranza generale DIN 16901 - 150	scala 0,120	Rev. 00	disegnato daniel	approvato	data 27-Apr-18
--	---------------------------------------	----------------	------------	---------------------	-----------	-------------------



A7716636

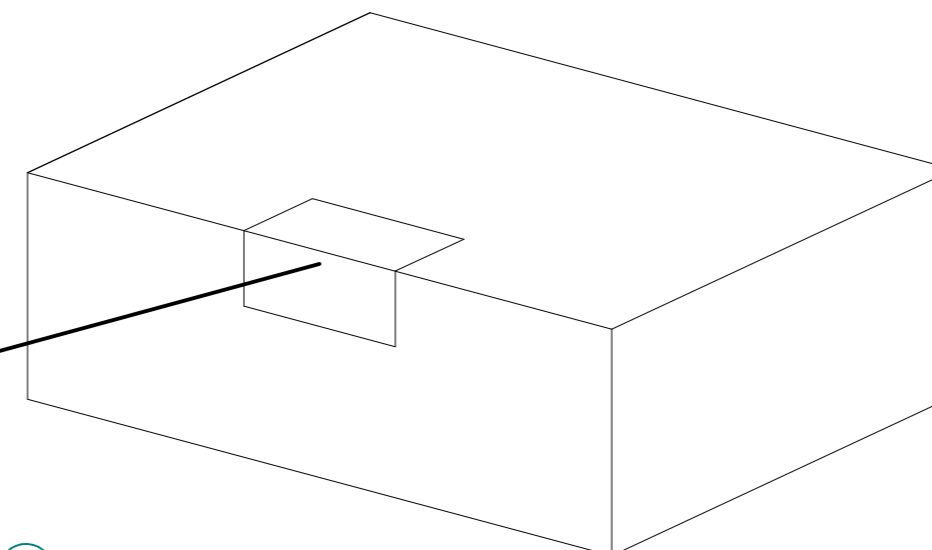
C39 BARCODE
A7716636

EAN13 BARCODE
8022945939537

(IT) - KIT SCARICO FUMI PER QUARTA CALDAIA 90/150 kW
(GB) - FLUE SYSTEM KIT FOR THE FOURTH BOILER 90/150 kW
(DE) - ABGASSYSTEM FÜR DIE VIERTE THERMEN 90/150 kW
(FR) - KIT SORTIE FUMÉES POUR LA QUATRIÈME CHAUDIÈRE 90/150 kW
(ES) - KIT EVACUACIÓN PARA LA CUARTA CALDERA 90/150 kW
(PT) - KIT EVACUAÇÃO FUMOS PARA A QUARTA CALDEIRA 90/150 kW
(NL) - SET UITGANG ROOKGAS-EN VOOR DE VIERDE KETEL 90/150 kW

7716636

C39 BARCODE
7716636



Label format follows supplier preferences.
Indicative fonts and graphics.
BLACK graphics.

Pos	Qty	BAXI Item	Supplier Item	Description
30	1	/		PACKAGING LABEL KIT 7716636
20	1	7723370		INSTRUCTION SHEET
10	1	/	11526	Kit DN 250 i620

DIMENSION TOLERANCE TO ISO 14405		QUALITY SIGNIFICANCE: [C] DENOTES A CRITICAL DIMENSION. DEVIATION FROM THE SPECIFICATION MAY COMPROMISE THE SAFETY AND/OR THE FUNCTIONALITY OF THE FINISHED PRODUCT.		Tolerance: ISO 2768 - cK
A2	Sheet No.: 1 of 1	First Angle Projection	Material specification:	
Units: mm	Scale: 1:10		Creator: Scalco, Stefano	Date of Issue: 27-Nov-2018
BDR THERMEA GROUP			Title: KIT EXHAUST FUMES FOURTH BOIL.	Release Status: Production
		Work In Progress When Blank	Item Number: 7716636	Revision: 01

THE REPRODUCTION, DISTRIBUTION AND UTILIZATION OF THIS DOCUMENT AS WELL AS THE COMMUNICATION OF ITS CONTENTS TO OTHERS WITHOUT EXPRESS AUTHORIZATION IS PROHIBITED. OFFENDERS WILL BE HELD LIABLE FOR THE PAYMENT OF DAMAGE. ALL RIGHTS RESERVED IN THE EVENT OF THE GRANT OF A PATENT, UTILITY MODEL OR DESIGN.