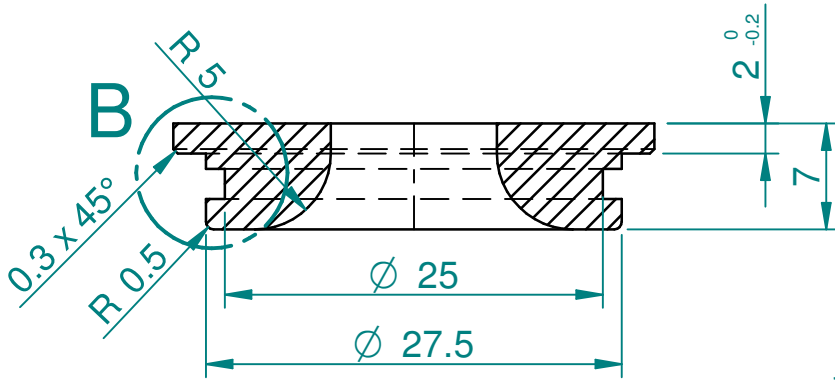
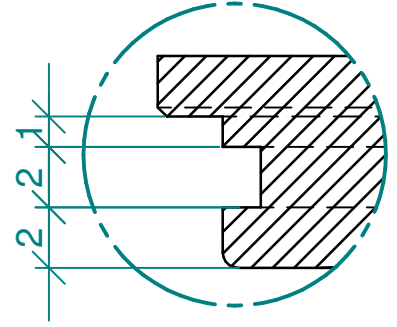


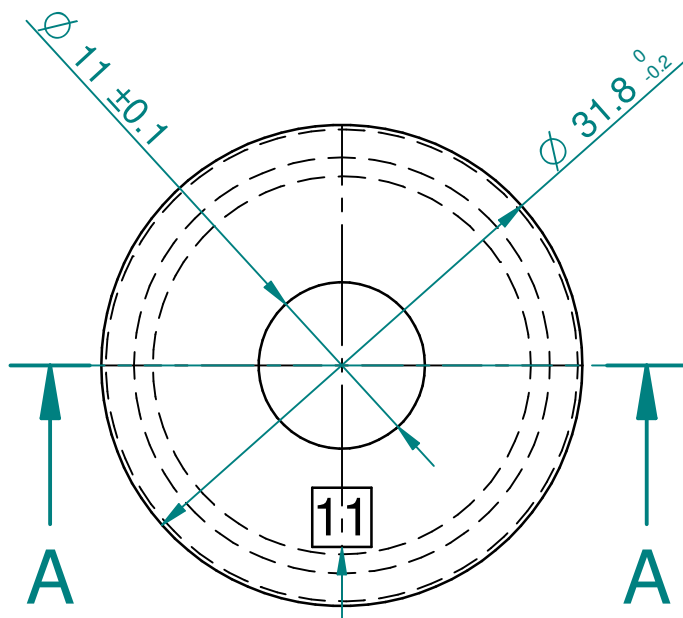
ALL COMPONENTS MUST COMPLY WITH THE EUROPEAN DIRECTIVE ON THE RESTRICTION OF THE USE OF CERTAIN HAZARDOUS SUBSTANCES (RoHS).  
CHECK REVISION AND STATUS BEFORE USE.



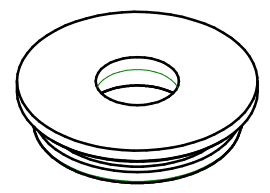
**SECTION A-A**



**DETAIL B**



Engrave the diameter - 11



- Material: BRASS EN 12164 - CW617N
- Component must be free from burrs, cracks and pits, and must be de-greased and washed

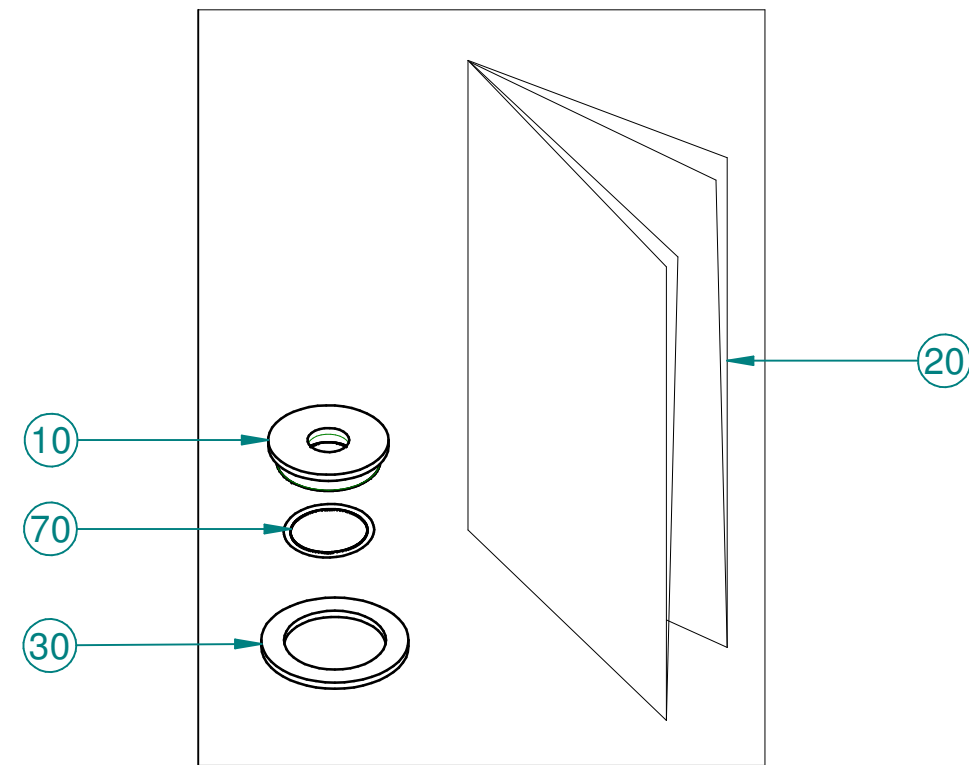
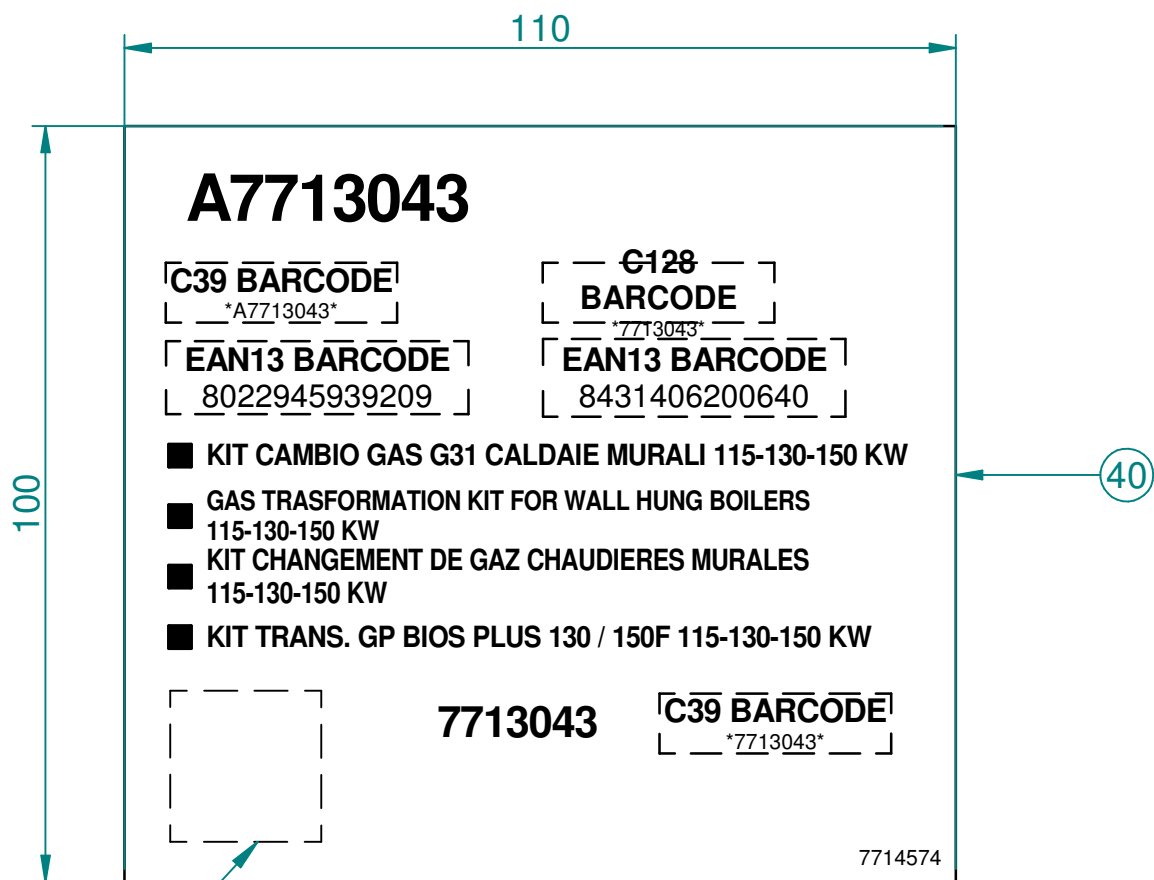


Added chamfer 0.3x45°		DIRS	
Change Description			Refers To
DIMENSION TOLERANCE TO ISO 14405		QUALITY SIGNIFICANCE: [C] DENOTES A CRITICAL DIMENSION. DEVIATION FROM THE SPECIFICATION MAY COMPROMISE THE SAFETY AND/OR THE FUNCTIONALITY OF THE FINISHED PRODUCT.	Tolerance: <b>ISO 2768 - mK</b>
<b>A4</b>	Sheet No.: 1 of 1	First Angle Projection	Material specification: -
Units : mm	Scale : 2:1	Creator: <b>Ceccato, Sergio</b>	Date of Issue: <b>04-Dec-2018</b>
<b>BDR THERMEA GROUP</b>		Title: <b>REDUCTION FOR GAS G31 W/OR</b>	
		Release Status: <b>Production</b>	Work In Progress When Blank
		Item Number : <b>7722647</b>	Revision : <b>02</b>

Template revision: 2 Aug 2017

THE REPRODUCTION, DISTRIBUTION AND UTILIZATION OF THIS DOCUMENT AS WELL AS THE COMMUNICATION OF ITS CONTENTS TO OTHERS WITHOUT EXPRESS AUTHORIZATION IS PROHIBITED. OFFENDERS WILL BE HELD LIABLE FOR THE PAYMENT OF DAMAGE.  
ALL RIGHTS RESERVED IN THE EVENT OF THE GRANT OF A PATENT, UTILITY MODEL OR DESIGN.

ALL COMPONENTS MUST COMPLY WITH THE EUROPEAN DIRECTIVE ON THE RESTRICTION OF THE USE OF CERTAIN HAZARDOUS SUBSTANCES (RoHS).  
CHECK REVISION AND STATUS BEFORE USE.



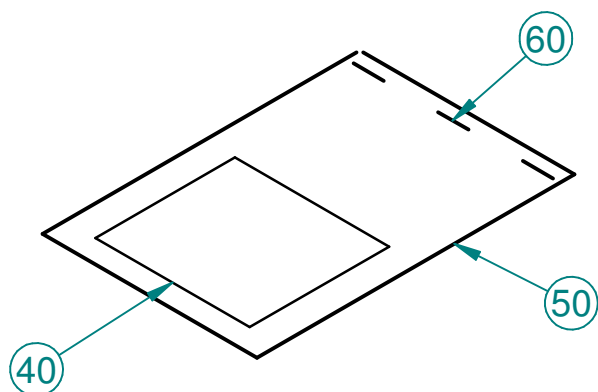
DMC according to "OR0002" - Error prevention (refer to code 7629122)

**NOTE FOR THE INSTRUCTION KIT**  
- A4 format  
- Graphics in Black color  
- Folded twice into the plastic bag

**NOTE FOR PACKAGING LABEL KIT**  
- Print performed by thermal transfer  
- Characters and graphic setting, indicative  
- Graphics in Black color

Pos	Qty	Item	Rev	Description
70	1	540519		O-RING 20,35X1,78 NBR
60	3	7101134		METALLIC STAPLE
50	1	7101132		PLASTIG BAG 150X200H
40	1	7714574		PACKAGING LABEL KIT 7713043
30	1	7101197		GASKET 39X27X2
20	1	7714312		INSTRUCTION KIT 7713043
10	1	7722647		REDUCTION FOR GAS G31

BAXI PRODUCT CODE PACKED  
7713043



Added C128 and EAN codes for Iberian market				DISTA/PPL
Change Description				Refers To
DIMENSION TOLERANCE TO ISO 14405	QUALITY SIGNIFICANCE: [C] DENOTES A CRITICAL DIMENSION. DEVIATION FROM THE SPECIFICATION MAY COMPROMISE THE SAFETY AND/OR THE FUNCTIONALITY OF THE FINISHED PRODUCT.		Tolerance: -	
<b>A3</b>	Sheet No.: 1 of 1	First Angle Projection	Material specification: (None)	
Units: mm	Scale: 1:2		Creator: Scalco, Stefano	Date of Issue: 10-Jan-2019
BDR THERMEA GROUP		Title: KIT G31 FOR W.H.B. 115-130 KW		
Release Status: <b>Production</b>		Work In Progress When Blank	Item Number: <b>7713043</b>	Revision: <b>04</b>

THE REPRODUCTION, DISTRIBUTION AND UTILIZATION OF THIS DOCUMENT AS WELL AS THE COMMUNICATION OF ITS CONTENTS TO OTHERS WITHOUT EXPRESS AUTHORIZATION IS PROHIBITED. OFFENDERS WILL BE HELD LIABLE FOR THE PAYMENT OF DAMAGE. ALL RIGHTS RESERVED IN THE EVENT OF THE GRANT OF A PATENT, UTILITY MODEL OR DESIGN.