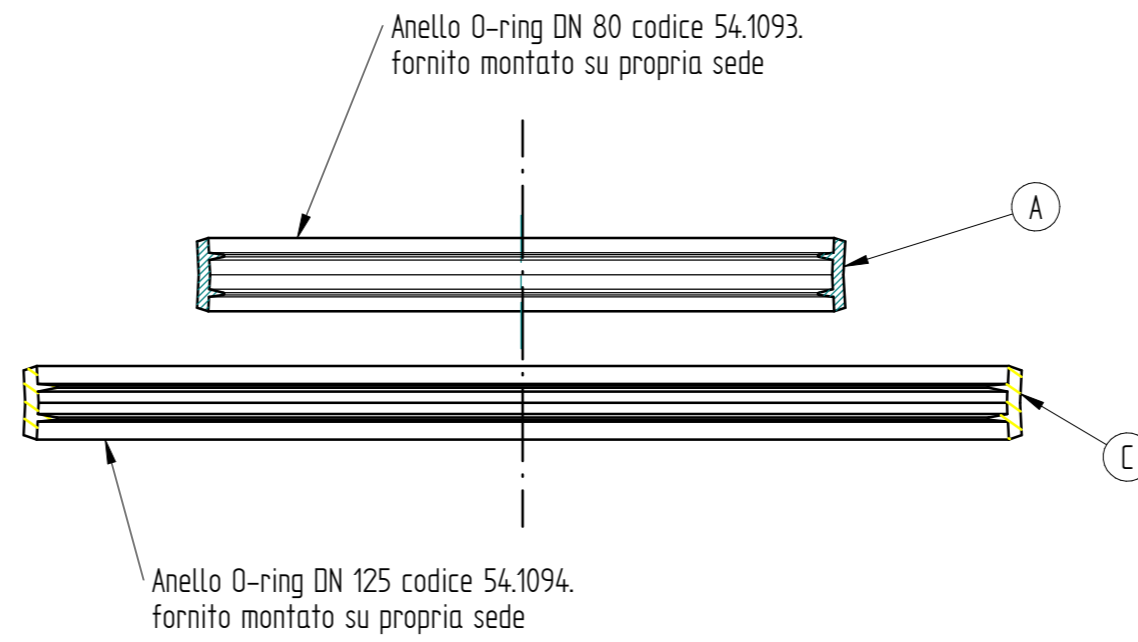
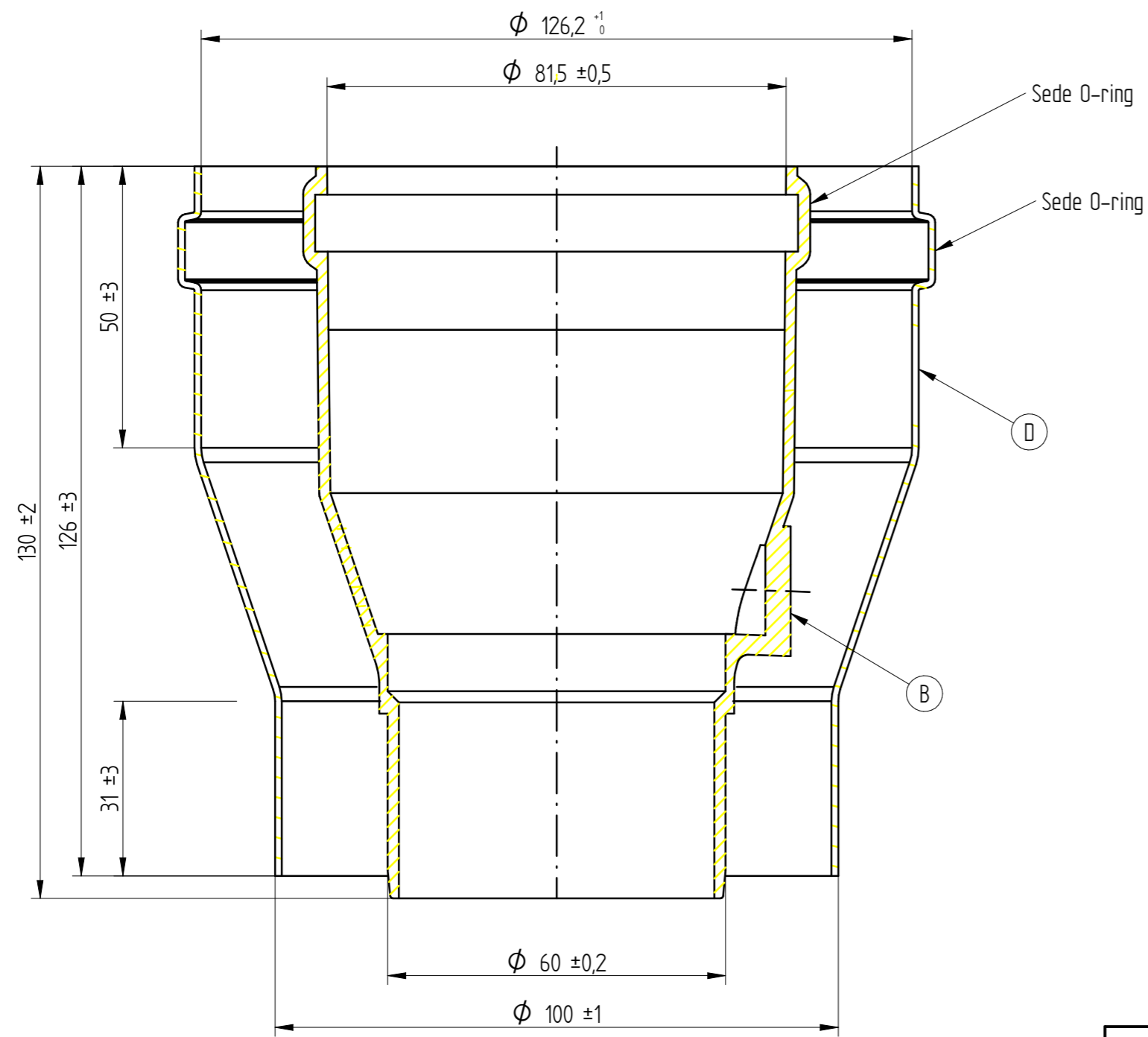


ALL COMPONENTS MUST COMPLY WITH THE EUROPEAN DIRECTIVE ON THE RESTRICTION OF THE USE OF THE CERTAIN HAZARDOUS SUBSTANCES (RoHS)
CHECK REVISION AND STATUS BEFORE USE



LA PARTE IN VISTA DEL PARTICOLARE "D"
DEVE ESSERE VERNICIATA COLORE BIANCO RAL 9003.

FLUE REDUCTION 80/125 - 60/100 FOR CONDENSING BOILERS
AUSLASSREDUZIERUNGSANSCHLUSS 80/125 - 60/100 FÜR BRENNWERTTHERME
REDUCTION 80/125 - 60/100 POUR CHAUDIERES A CONDENSATION
ADAPTADOR 80/125 - 60/100 PARA CALDERAS DE CONDENSACIÓN
ADAPTADOR 80/125 - 60/100 PARA CALDEIRAS DE CONDENSACÃO
VERLOOPSTUK 80/125 - 60/100 VOOR CONDENSERENDE KETELS

codice a barre tipo C39 vedi KHG71.....
KHG714093911

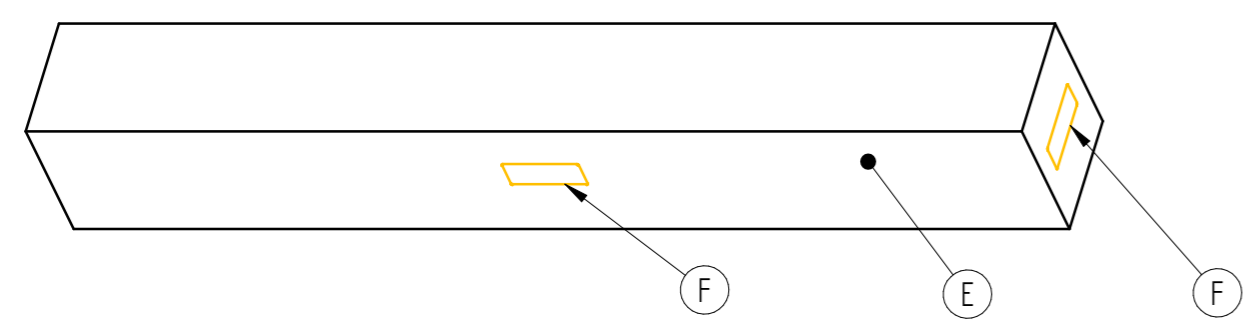
codice EAN 13 8022945966489

RIDUZIONE 80/125 - 60/100 PER CALDAIE A CONDENSAZIONE
code 128B 7222309

POS.	Q.TA'	CODICE BAXI	COD. FORNITORE	DESCRIZIONE	MATERIALE
F	2			ETICHETTA IDENTIFICAZIONE PRODOTTO	/
E	1		34130027	SCATOLA 160x300x145	CARTONE A ONDA
D	1		511807310	RID. CON. 125F/100M ORL. VERN.	ALLUMINIO 6060 12/10 T1
C	1	54.1094.	422001600	O-RING d.125 DOPPIO LABBRO EPDM OMOL.	EPDM E65 01 011 GRIGIO
B	1		521129860	RIDUZIONE CONICA PPs 80F/60M	PPs
A	1	54.1093.	422001610	O-RING d.80 DOPPIO LABBRO EPDM OMOL.	EPDM E65 01 011 GRIGIO

N.B: DISEGNO SCATOLA NON IN SCALA

**CODICE BAXI PRODOTTO
CONFEZIONATO
KHG714093911**



Change Description		Refers To
DIMENSION TOLERANCE TO ISO 14405	QUALITY SIGNIFICANCE: [C] DENOTES A CRITICAL DIMENSION. DEVIATION FROM THE SPECIFICATION MAY COMPROMISE THE SAFETY AND/OR THE FUNCTIONALITY OF THE FINISHED PRODUCT.	Tolerance: ISO 2768 mK
A2	Sheet No.: 1 of 1	Material Specification:
Units: mm	Scale: 1:1	Creator: Pedron, Aurelio
Date Of Issue: 21/04/2015		Title: KIT RIDUZ. 80-125 60-100 HT
Release Status: Production		Item Number: 7222539
Work In Progress		Revision: 01
THE REPRODUCTION, DISTRIBUTION AND UTILIZATION OF THIS DOCUMENT AS WELL AS THE COMMUNICATION OF ITS CONTENTS TO OTHERS WITHOUT EXPRESS AUTHORIZATION IS PROHIBITED. OFFENDERS WILL BE HELD LIABLE FOR THE PAYMENT OF DAMAGE. ALL RIGHTS RESERVED IN THE EVENT OF THE GRANT OF A PATENT, UTILITY MODEL OR DESIGN.		