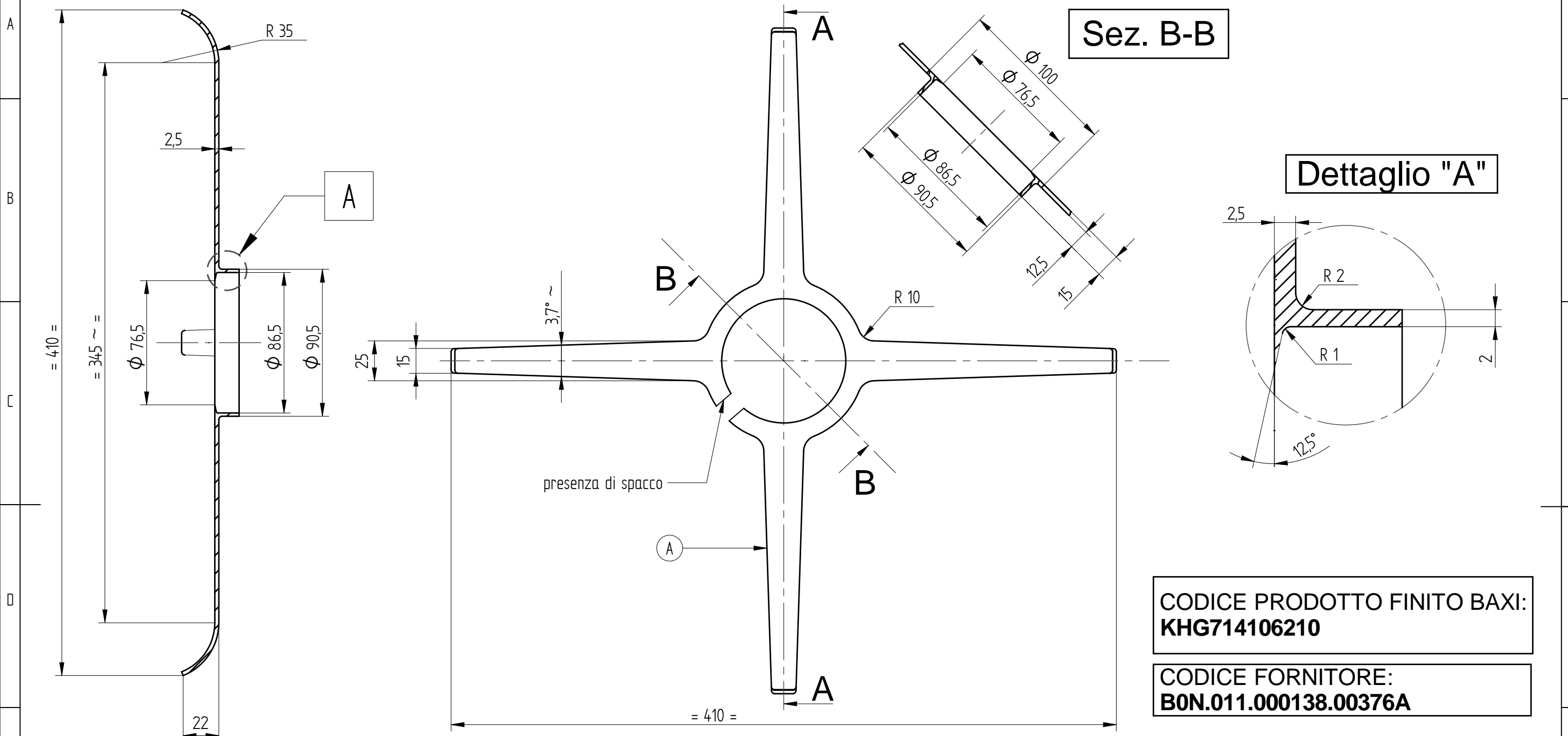


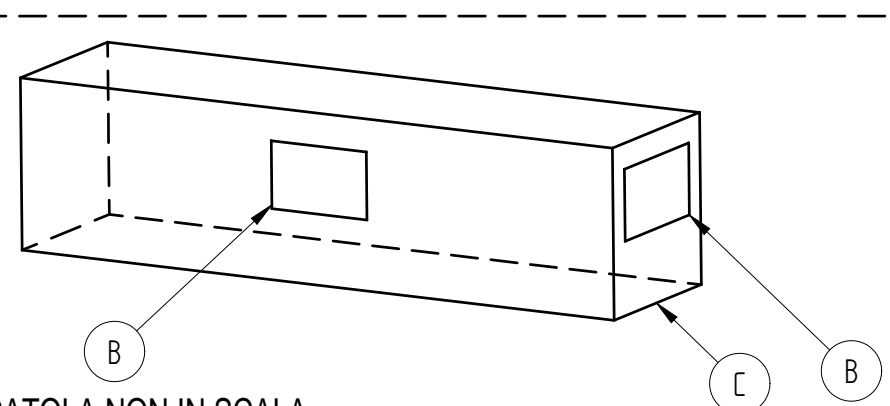
ALL COMPONENTS MUST COMPLY WITH THE EUROPEAN DIRECTIVE ON THE RESTRICTION OF THE USE OF THE CERTAIN HAZARDOUS SUBSTANCES (RoHS)
CHECK REVISION AND STATUS BEFORE USE



CODICE PRODOTTO FINITO BAXI:
KHG714106210

CODICE FORNITORE:
B0N.011.000138.00376A

Sez. A-A



N.B. DISEGNO SCATOLA NON IN SCALA

C	1	/	/	SCATOLA IMBALLO	/
B	2	924.867.1	/	ETICHETTA IDENTIFICAZIONE KIT	/
A	3	/	NFN08004	CENTRATORE FLESSIBILE Ø 80 mm	NYLON NERO
POSIZIONE	QUANTITA'	CODICE BAXI	CODICE FORNITORE	DESCRIZIONE	MATERIALE
ADDED A SPLIT TO FACILITATE THE ASSEMBLY OF THE TUBE. REF. HOM. REP. NR5811/13; DATE 28/08/2013					COQ
Change Description					Refers To
DIMENSION TOLERANCE TO ISO 14405 © All Dimensions Must Meet Envelope Requirements.					Tolerance: ISO 2768 mK
A3	Sheet No.: 1 of 1	First Angle Projection		Material Specification: NYLON COLOUR BLACK	
Units: mm	Scale: 2:1			Creator: Dalla Costa Mauro	Date Of Issue: 17-Sep-13
		Title: KIT CENTRATORE FLEX D80			
Release Status: Production		Work In Progress When Blank	Item Number: 568631	Revision: 01A	
THE REPRODUCTION, DISTRIBUTION AND UTILIZATION OF THIS DOCUMENT AS WELL AS THE COMMUNICATION OF ITS CONTENTS TO OTHERS WITHOUT EXPRESS AUTHORIZATION IS PROHIBITED. OFFENDERS WILL BE HELD LIABLE FOR THE PAYMENT OF DAMAGE. ALL RIGHTS RESERVED IN THE EVENT OF THE GRANT OF A PATENT, UTILITY MODEL OR DESIGN.					

Template version: 28-Feb-2012 V20