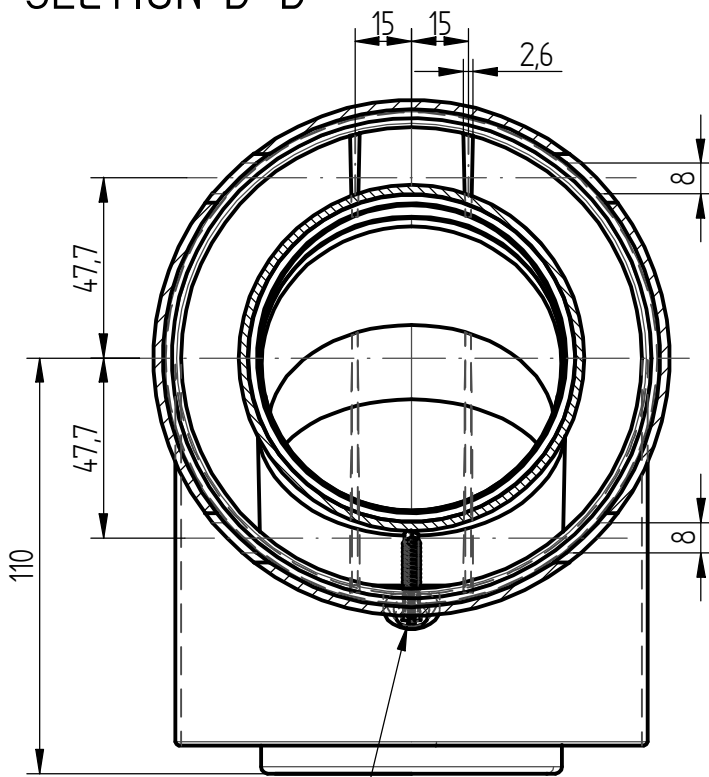
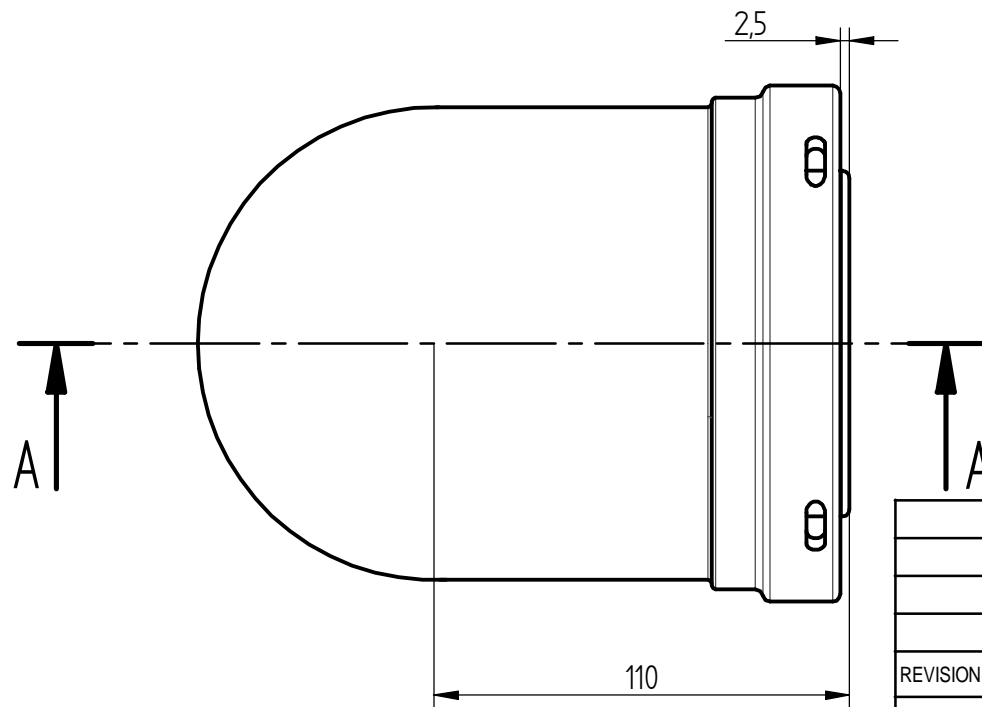
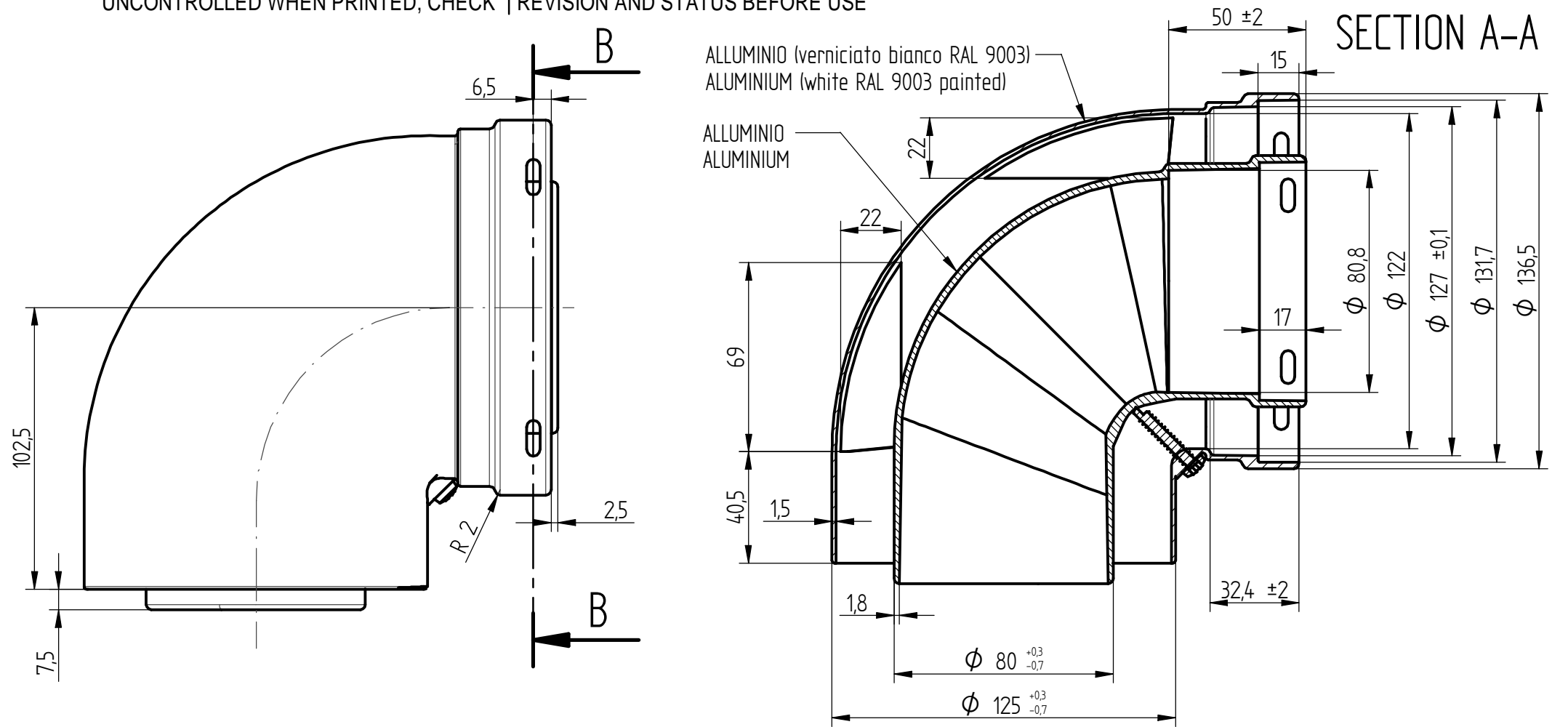


SECTION B-B



VITE UNI 8118 ϕ 4,8
SCREW UNI 8118 ϕ 4,8

SECTION A-A



REVISION		MODIFICATION		ENGINEER		REFERS TO		DATE																						
BAXI S.p.A.				RELEASE STATUS. Production		ITEM NUMBER. 7106356,01		REVISION.																						
A MEMBER OF BAXI GROUP				ENGINEER. CHIURATO P.		DATE. 01-Feb-11		SHEET No. 1 of 1																						
© 2009		TITLE. ELBOW 80/125 SE 90																												
UNITS. mm		SCALE. 1:2		MATERIAL SPECIFICATION.																										
FIRST ANGLE PROJECTION.		TOLERANCE TO EN 22768 - mK UNLESS OTHERWISE SPECIFIED			<table border="1"> <tr> <td>CLASS m</td> <td>0,5-3</td> <td>3-6</td> <td>6-30</td> <td>30-120</td> <td>120-400</td> <td>400-1m</td> </tr> <tr> <td>LINEAR</td> <td>±0,1</td> <td>±0,1</td> <td>±0,2</td> <td>±0,3</td> <td>±0,5</td> <td>±0,8</td> </tr> <tr> <td>RADI & CHAMFERS</td> <td>±0,4</td> <td>±1</td> <td colspan="4">±2</td> </tr> </table>			CLASS m	0,5-3	3-6	6-30	30-120	120-400	400-1m	LINEAR	±0,1	±0,1	±0,2	±0,3	±0,5	±0,8	RADI & CHAMFERS	±0,4	±1	±2				QUALITY SIGNIFICANCE. [C]=CRITICAL [I]=IMPORTANT	
CLASS m	0,5-3	3-6	6-30	30-120	120-400	400-1m																								
LINEAR	±0,1	±0,1	±0,2	±0,3	±0,5	±0,8																								
RADI & CHAMFERS	±0,4	±1	±2																											
					<table border="1"> <tr> <td>CLASS m</td> <td>upto 10</td> <td>10-50</td> <td>50-120</td> <td>120-400</td> <td>400+</td> </tr> <tr> <td>ANGULAR</td> <td>±1°</td> <td>±1° 30'</td> <td>±1° 20'</td> <td>±1° 10'</td> <td>±1° 5'</td> </tr> </table>			CLASS m	upto 10	10-50	50-120	120-400	400+	ANGULAR	±1°	±1° 30'	±1° 20'	±1° 10'	±1° 5'	ITEM CATEGORY (1, 2 OR 3)										
CLASS m	upto 10	10-50	50-120	120-400	400+																									
ANGULAR	±1°	±1° 30'	±1° 20'	±1° 10'	±1° 5'																									
					[3]			A3																						

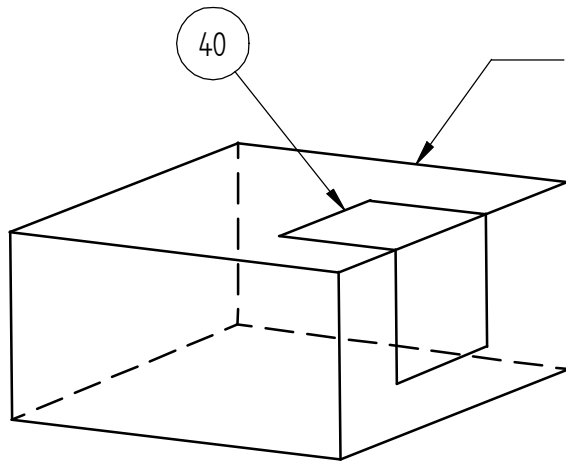
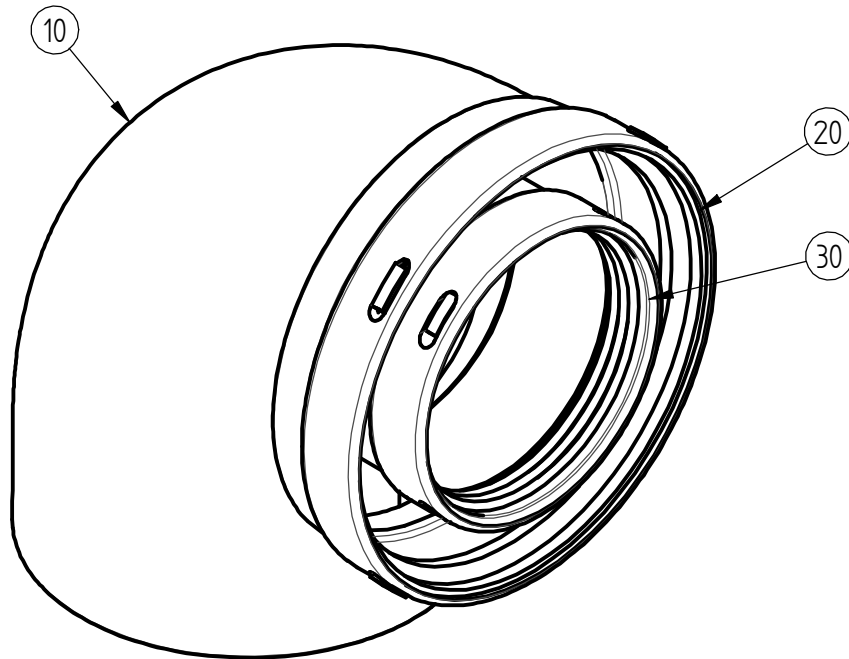
1

2

3

4

UNCONTROLLED WHEN PRINTED, CHECK REVISION AND STATUS BEFORE USE



SCATOLA CARTONE 230x230x150
 CARTON BOX 230x230x150

NOTA:

IL PRODOTTO DEVE ESSERE FORNITO IN UNA SCATOLA DI CARTONE IN CUI DEVONO ESSERE PRESENTI LE ETICHETTE IMBALLO, COME MOSTRATO NELLA FIGURA.

NOTE:

THE ITEM MUST BE SUPPLIED IN THE CARTON BOX, IN WHICH MUST BE GLUED ON THE PACK. LABELS, AS SHOWN IN THE DRAWING.

40	7106389	LABEL KIT KHG714140510	1
30	7106354	GASKET D80 ELBOW	1
20	7106355	GASKET D125 ELBOW	1
10	7106356	ELBOW 80/125 SE 90	1
ITEM NO	PART NUMBER	DESCRIPTION	QTY

REVISION	MODIFICATION	ENGINEER	REFERS TO	DATE
----------	--------------	----------	-----------	------

BAXI S.p.A.

A MEMBER OF BAXI GROUP

RELEASE STATUS.

Production

ENGINEER.

CHIURATO P.

ITEM NUMBER.

7106353,01

REVISION.

SHEET No.

1 of 1

© 2009	TITLE. KIT ELBOW 80/125 SE 90
--------	---

UNITS. mm	SCALE. 1:2	MATERIAL SPECIFICATION.
--------------	----------------------	-------------------------

FIRST ANGLE PROJECTION. 	TOLERANCE TO EN 22768 - mK UNLESS OTHERWISE SPECIFIED	<table border="1"> <tr> <td>CLASS m</td> <td>0.5-3</td> <td>3-6</td> <td>6-30</td> <td>30-120</td> <td>120-400</td> <td>400-1m</td> </tr> <tr> <td>LINEAR</td> <td>±0.1</td> <td>±0.1</td> <td>±0.2</td> <td>±0.3</td> <td>±0.5</td> <td>±0.8</td> </tr> <tr> <td>RADI & CHAMFERS</td> <td>±0.4</td> <td>±1</td> <td>±2</td> <td>±2</td> <td>±2</td> <td>±2</td> </tr> </table>	CLASS m	0.5-3	3-6	6-30	30-120	120-400	400-1m	LINEAR	±0.1	±0.1	±0.2	±0.3	±0.5	±0.8	RADI & CHAMFERS	±0.4	±1	±2	±2	±2	±2	QUALITY SIGNIFICANCE. [C]=CRITICAL [I]=IMPORTANT
CLASS m	0.5-3	3-6	6-30	30-120	120-400	400-1m																		
LINEAR	±0.1	±0.1	±0.2	±0.3	±0.5	±0.8																		
RADI & CHAMFERS	±0.4	±1	±2	±2	±2	±2																		
		<table border="1"> <tr> <td>CLASS m</td> <td>upto 10</td> <td>10-50</td> <td>50-120</td> <td>120-400</td> <td>400+</td> </tr> <tr> <td>ANGULAR</td> <td>±1°</td> <td>±0°30'</td> <td>±0°20'</td> <td>±0°10'</td> <td>±0°5'</td> </tr> </table>	CLASS m	upto 10	10-50	50-120	120-400	400+	ANGULAR	±1°	±0°30'	±0°20'	±0°10'	±0°5'	ITEM CATEGORY (1, 2 OR 3) 3 A4									
CLASS m	upto 10	10-50	50-120	120-400	400+																			
ANGULAR	±1°	±0°30'	±0°20'	±0°10'	±0°5'																			