

THE LABEL BELOW IS AN INDICATION FOR THE SUPPLIER. ALL THE INFORMATION SHOWN ARE MANDATORY, WHILE THE LAYOUT AND DIMENSIONS CAN BE MODIFIED.

BAXI PART NUMBER : KUG714135812

SUPPLIER DRAWING CODE: 63233407
SUPPLIER PART NUMBER: 939981451

KUG714135812

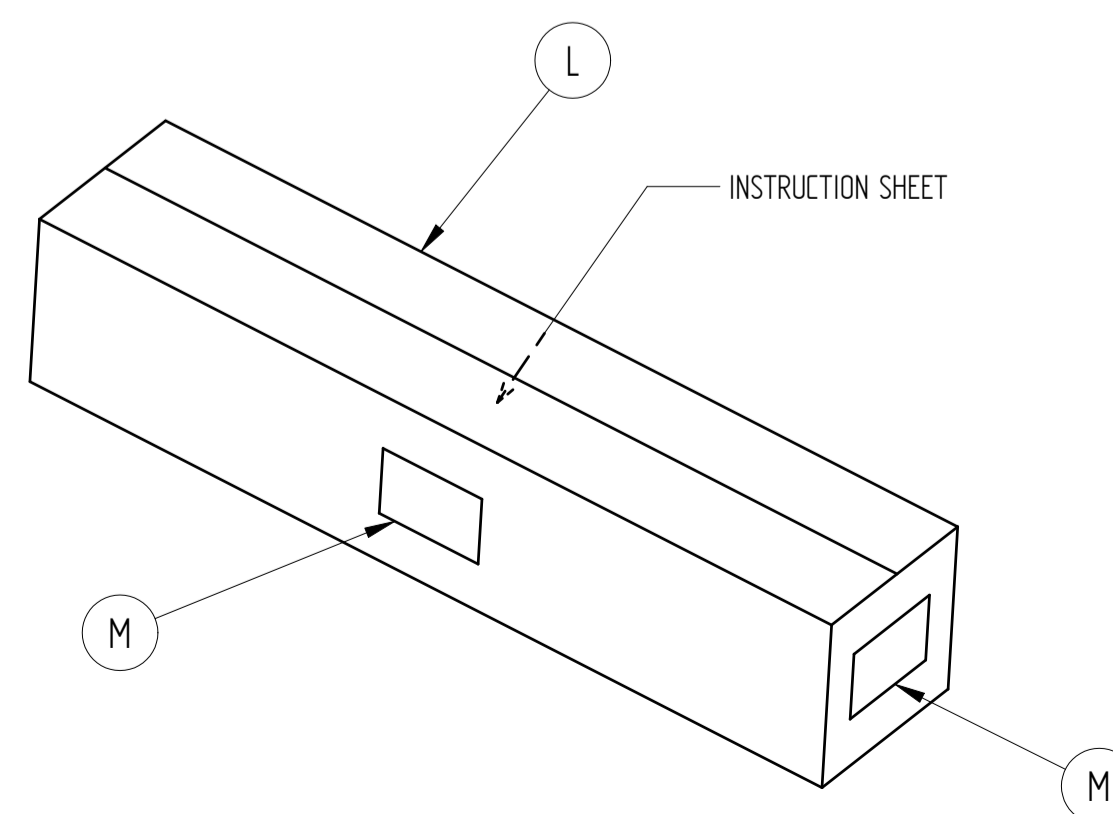
- ANTI-FREEZING VERTICAL COAXIAL FLUE TERMINAL ø 60/100 mm FOR HIGH EFFICIENCY BOILERS
- TUBE VERTICAL ANTIGIVRANT ø 60/100 mm POUR CHAUDIERES A CONDENSATION
- SENKRECHTE KONZENTRISCHE DACHDURCHFÜHRUNG ø 60/100 mm MIT FROSTSCHUTZ FÜR BRENNWERTGERÄTE
- CONDUCTO DESCARGA-ASPIRACIÓN VERTICAL ANTIHELO ø 60/100 mm PARA CALDERAS DE CONDENSACIÓN
- TERMINALE VERTICALE COASSIALE ø 60/100 mm, ANTI-GELO, PARA CALDEIRAS DE CONDENSACÃO
- ANTI-VRIES VERTIKALE DOORVOER ø 60/100 mm VOOR CONDENSERENDE KETELS
- TERMINALE SCARICO VERTICALE ANTIGHIACCIO ø 60/100 mm PER CALDAIE A CONDENSAZIONE

BARCODE C39 KUG71.....
KUG714135811

BARCODE EAN13 802294597496

C71413581

BARCODE EAN13 358869148978



POS	Q.TA'	COD. BAXI	COD. FORNITORE	DESCRIZIONE	MATERIALE
/	1	926.732	492003000	FOGLISTR.BAXI x SAT ANTICE COND	/
/	1/24	888888670		PALLET IN LEGNO 120x100 PIANO	LEGNO
/	4/48	345000220		DIVISORIO 100x120 DOPPIA ONDA	CARTONE A ONDA
/	1/235	34600009		NASTRO IN PPL 50x660 TRASPAREN	PPL
/	1	343000700		FUSTELLATO DIVISORIO X SAT	CARTONE A ONDA
/	1	343000660		FUSTELLATO x SAT Ø60/100	CARTONE A ONDA
/	1	343000670		FUSTELLATO x TESTA SAT 2/2	CARTONE A ONDA
/	1	343000660		FUSTELLATO x TESTA SAT 1/2	CARTONE A ONDA
N	1	51111620		KIT STAFFA A MURO Ø100	/
M	2	xxx		ETI.x SAT Ø60/100 KUG714135811	TRANSFER PERMANENTE
L	1	341302670		SCATOLA 250x250x1195 ESTERNE	CARTONE A ONDA
I	1	511814280		TUBO LAM.Ø100x0,8x620+INV.+3 FORI RAL 9003	/
H	1	421005810		TUBO 60x1077 MM+1 INV.PP H2150 TRASL.	PP H2150 TRASLUCIDO
G	1	421005770		TUBO PP ø 125/100x275+80MM+SV. 140	HOSTALEN PP H2150 UV NEROCEN14471)
F	1	421005750		TERMINALE SAT 60 COND ICE NERO PP UV	HOSTALEN PP H2150 UV NEROCEN14471)
E	1	421005670		TERMINALE SAT ICE NERO PP UV	HOSTALEN PP H2150 UV NEROCEN14471)
D	1	411001801		MOLLA TRIANGOLARE x KIT 60/100	C72 ZN - 25/10 STEEL
C	3	311100760		VITE 3,9x9,5 TCB+PH RAPID ZN.	ACCIAIO C15
B	2	311100740		VITE AUTOF. 3,5x22 INOX A2 ISO 7049	ACCIAIO INOX A2
A	4	31110029		VITE 3,5 x 9,5 AB ACC. UNI 6954	ACCIAIO INOX AISI 304

REFERENCES FOR THE FRENCH MARKET HAS BEEN INCLUDED

Change Description
Envelope Requirements, ISO 2768 mK

DIMENSION TOLERANCE TO ISO 14405 © All Dimensions Must Meet Tolerance: ISO 2768 mK

Sheet No.: 1 of 1
Scale: 1:2
First Angle Projection

Material Specification:
Creator: Chiurato, Paolo
Date Of Issue: 02/12/2013

File: ANTIFR. FLUE TER.D.60-100 HE
Production
Release Status: Progress
Work In Progress: 7116504
Item Number: 01
Revision:

THE REPRODUCTION, DISTRIBUTION AND UTILIZATION OF THIS DOCUMENT AS WELL AS THE COMMUNICATION OF ITS CONTENTS TO OTHERS WITHOUT EXPRESS AUTHORIZATION IS PROHIBITED. OFFENDERS WILL BE HELD LIABLE FOR THE PAYMENT OF DAMAGE.
ALL RIGHTS RESERVED IN THE EVENT OF THE GRANT OF A PATENT, UTILITY MODEL OR DESIGN.